

**Dimensional Data - SES**

Nom. Shelf Depth (in.) (mm.)	Actual Depth "A" (base of collars) (in.) (mm.)		Post Centers (Depth) (in.) (mm)		Number of Center Snakes	Nom. Shelf Length (in.) (mm.)	Actual Length "B"(base of collars) (in.) (mm.)		Post Centers (Length) (in.) (mm.)	
14 356	14-1/8	359	12.666	322	1424 thru 1448 (none) 1460 and 1472 (1)	24 610	23-7/8	606	22.416	569
18 457	18-1/8	461	16.666	423	1824 thru 1848 (none) 1854 thru 1872 (1)	30 762	30-7/8	759	28.416	722
21 533	21-1/8	537	19.666	500	2124 thru 2172 (1)	36 914	35-7/8	911	34.416	874
24 610	24-1/8	613	22.666	576	2424 thru 2460 (1) 2472 (2)	42 1067	41-7/8	1064	40.416	1027
30 762	30-1/8	765	28.666	728	3036 thru 3072 (3)	48 1219	47-7/8	1216	46.416	1179
36 914	36-1/8	918	34.666	881	3636 thru 3672 (3)	54 1372	53-7/8	1368	52.416	1331
						60 1524	59-7/8	1521	58.416	1484
						72 1829	71-7/8	1826	70.416	1789

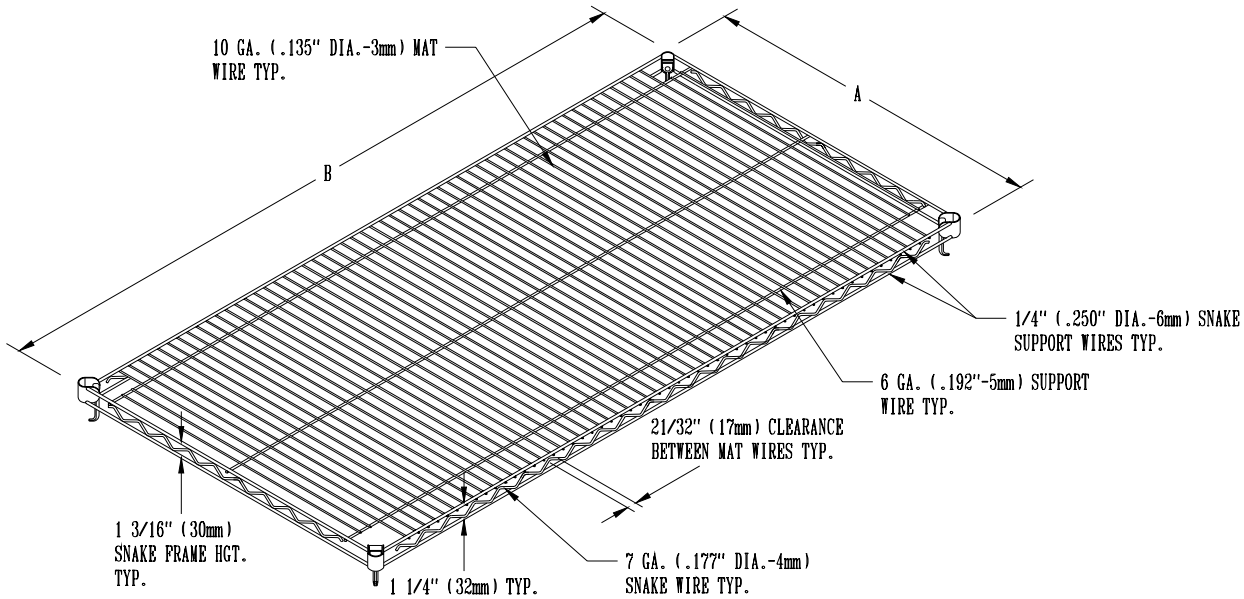
**NOTE:** For overall dimensions when using 3-1/2" dia. (89mm) donut bumpers: add 2-3/16" (56mm) to nominal depth, and 2" (51mm) to nominal length. When using 5-1/2" dia. (140mm) donut bumpers: add 4-3/16" (106mm) to nominal depth, and 4" (102mm) to nominal length.

**Application Chart - SES**

Finish	Temp.	Abrasion	Chip Res.	Corrosion (Salt Spray)	Cut Through	Cart Wash	Finish Warranty	NSF Listed
Nickel Chrome	-20/120° F. -29/49° C.	Very Good	Excellent	Very Good	N/A	Not Recommended	1 Year	Yes
Brite	-20/120° F. -29/49° C.	Very Good	Very Good	Fair	N/A	Not Recommended	1 Year	Yes
Metroseal 3	-20/120° F. -29/49° C.	Excellent	Excellent	Excellent	Excellent	Not Recommended	12 Years	Yes
Stainless	-20/120° F. -29/49° C.	Excellent	Excellent	Excellent	N/A	Excellent	1 Year	Yes
Designer	-20/120° F. -29/49° C.	Good	Fair	Good	Fair	Not Recommended	1 year	No

**NOTE:** Use of aluminum split sleeves on nickel chrome, Metroseal 3, and Designer Shelving in stationary applications will increase maximum continuous temperature to 250° F. (121° C.), and stainless steel to 500° F. (260° C.) For all other applications, consult your Metro representative.

## SUPER ADJUSTABLE SHELF DETAIL



### Dimensional Data - SASE

Nom. Shelf Depth (in.) (mm.)	Actual Depth "A" (in.) (mm.)		Post Centers (Depth) (in.) (mm)		Number of Center Snakes	Nom. Shelf Length (in.) (mm.)	Actual Length "B" (in.) (mm.)		Post Centers (Length) (in.) (mm.)	
14 356	14	356	12.694	322	1424 thru 1448 (none) 1460 thru 1472 (1)	24 610	23-3/4	603	22.444	570
18 457	18	457	16.694	424	1824 thru 1848 (none) 1854 thru 1872 (1)	30 762	29-3/4	756	28.444	722
21 533	21	533	19.694	500	2124 thru 2172 (1)	36 914	35-3/4	908	34.444	875
24 610	24	610	22.694	576	2424 thru 2460 (1) 2472 (2)	42 1067	41-3/4	1060	40.444	1027
30 762	30	762	28.694	729	3036 thru 3072 (3)	48 1219	47-3/4	1213	46.444	1180
36 914	36	914	34.694	881	3636 thru 3672 (3)	54 1372	53-3/4	1365	52.444	1332
						60 1524	59-3/4	1528	58.444	1484
						72 1829	71-3/4	1822	70.444	1789

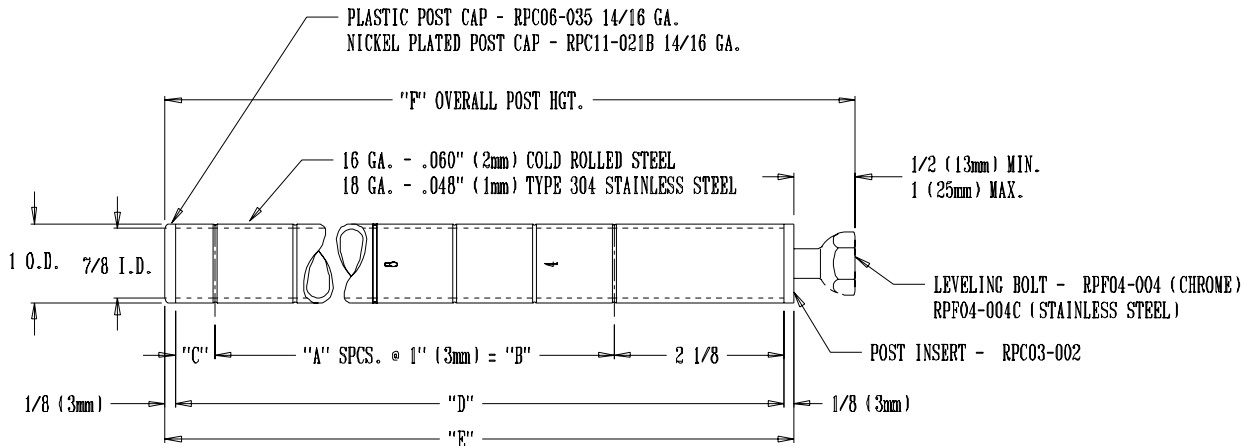
**NOTE:** For overall dimensions when using 3-1/2" dia. (89mm) donut bumpers: add 2-3/16" (56mm) to nominal depth, and 2" (51mm) to nominal length. When using 5-1/2" dia. (140mm) donut bumpers: add 4-3/16" (106mm) to nominal depth, and 4" (102mm) to nominal length.

**Inside useable area of mat (between snake wires) for Super Erecta and Super Adjustable shelves:** Length = nominal length - 3/4" (19mm). Depth = nominal depth - 1/2" (13mm).

### Application Chart - SASE

Finish	Temp.	Abrasion	Chip Res.	Corrosion (Salt Spray)	Cut Through	Cart Wash	Finish Warranty	NSF Listed
Nickel Chrome	-20/120° F. -29/49° C.	Very Good	Excellent	Very Good	N/A	Not Recommended	1 Year	Yes
Brite	-20/120° F. -29/49° C.	Very Good	Very Good	Fair	N/A	Not Recommended	1 Year	Yes
Metroseal 3	-20/120° F. -29/49° C.	Excellent	Excellent	Excellent	Excellent	Not Recommended	12 Years	Yes
Stainless	-20/120° F. -29/49° C.	Excellent	Excellent	Excellent	N/A	Excellent	1 Year	Yes
Designer	-20/120° F. -29/49° C.	Good	Fair	Good	Fair	Not Recommended	1 year	No

# SUPER ERECTA / SUPER ADJUSTABLE POST DETAIL



POST	"A" SPACES	DIM. "B"	DIM. "C"	DIM. "D"	DIM. "E"	*DIM. "F"
7P	4 (5 GROOVES)	4 (102mm)	1/2 (13mm)	6-5/8 (168mm)	6-7/8 (175mm)	7-5/8 (194mm)
13P	11 (12 GROOVES)	11 (279mm)	1/2 (13mm)	13-5/8 (346mm)	13-7/8 (352mm)	14-5/8 (371mm)
27P	25 (26 GROOVES)	25 (635mm)	1/2 (13mm)	27-5/8 (702mm)	27-7/8 (708mm)	28-5/8 (727mm)
33P	31 (32 GROOVES)	31 (787mm)	1/2 (13mm)	33-5/8 (854mm)	33-7/8 (860mm)	34-5/8 (879mm)
54P	51 (52 GROOVES)	51 (1295mm)	9/16 (14mm)	53-11/16 (1364mm)	53-15/16 (1370mm)	54-11/16 (1389mm)
63P	59 (60 GROOVES)	59 (1499mm)	9/16 (14mm)	61-11/16 (1567mm)	61-15/16 (1573mm)	62-11/16 (1592mm)
74P	71 (72 GROOVES)	71 (1803mm)	5/8 (16mm)	73-3/4 (1873mm)	74 (1880mm)	74-3/4 (1899mm)
86P	83 (84 GROOVES)	83 (2108mm)	5/8 (16mm)	85-3/4 (2178mm)	86 (2184mm)	86-3/4 (2203mm)
96P	93 (94 GROOVES)	93 (2362mm)	5/8 (16mm)	95-3/4 (2432mm)	96 (2438mm)	96-3/4 (2457mm)

\*Dim. "F" is with leveling foot adjusted at midpoint - 3/4" (19mm).

### Calculate Post Cut Length For Required Overall Height:

**For Stem Casters** = Required overall height - caster load height - 1/8 (3.2mm) = post cut length (round to next lowest 5/8"(16mm) if req'd. **Example No. 1** Required overall height of 38" (965mm) with HDC5BB caster = 38" (965mm) - 4-1/4" (108mm) - 1/8" (3.2mm) = 33 5/8" (854mm) post cut length.

**Example No. 2** Required height of 37-1/2" (953mm) with 5MP caster = 37-1/2" (953mm) - 6-1/16" (154mm) - 1/8"(3.2mm) = 31-5/16"(795.4mm), rounded to next lowest 5/8" (16mm) = 30-5/8" (778mm).

**Typ. Caster Load Hgts:** HDC3B - 2-5/8" (67mm)                      4LD - 4-5/8" (117mm)  
 HDC3BB - 2-5/8" (67mm)                                      All 5" Dia. Casters - 6-1/16" (154mm)  
 HDC5B - 4-1/4" (108mm)                                      6MP - 7-1/16" (179mm)  
 HDC5BB - 4-1/4" (108mm)

**For Stationary Units (1" increments only)** - Example: Overall Height requirement of 38" (965mm) = 38" (965mm) - 1-3/8"- (35mm) = 36-5/8" (930mm) post cut length. Yields 37-5/8"(956mm) overall height with leveler at midpoint - 37-3/8"(949mm) minimum/37-7/8"(962mm) maximum.

### Super Erecta / Super Adjustable - Inside Clearance Between Posts

Depth	14	21	24	30	36
	11-5/8" (295mm)	18-5/8" (473mm)	21-5/8" (549mm)	27-5/8" (702mm)	33-5/8" (854mm)

Length	24	30	36	42	48	54	60	72
	21-3/8" (543mm)	27-3/8" (695mm)	33-3/8" (848mm)	39-3/8" (1000mm)	45-3/8" (1152mm)	51-3/8" (1305mm)	57-3/8" (1457mm)	69-3/8" (1762mm)

**FINISH/PLATING:**

Chrome - Nickel Chrome plating with a clear water based lacquer coating.

Super Brite - Zinc base chromate bath

Metroseal 3 – Proprietary cross linked epoxy coating applied by electrostatic process over a zinc plating substrate.

Stainless Steel – Electropolish finish on wire and small sheetmetal products. No. 3 finish (intermediate polish on both sides with uniform grain on one side) for stainless steel tables, cabinets, flat solid shelves, etc.

Designer Color: Epoxy powder coating.

**SES/SASE WEIGHT CAPACITY**

Shelf Length	Weight Capacity
24" thru 48" (610mm thru 1219mm)	800 lbs. (363 kg.)
54" thru 72" (1372mm thru 1829mm)	600 lbs. (272 kg.)

**Note:**

1. Load ratings are for evenly distributed static loads.
2. Maximum system load ratings for stationary units (4 shelf minimum) = 2000 lbs. (907 kg.)
3. Maximum load ratings for mobile units with stem casters = 1000 lbs. (454 kg.) or not to exceed three times the load rating for a single caster.
4. Maximum load ratings for mobile units with a dolly base = 1000 lbs. (454 kg.) or not to exceed three times the load rating for a single caster.

<b>Super Erecta &amp; Super Adjustable Super Erecta Stability Guidelines / Allowable Height</b>	
<b>Stationary Units</b> (free standing without footplates or wall brackets)	
<b>Shelf Depth</b>	<b>Maximum Allowable Post Height*</b>
14" (356mm)	63" (1600mm)
18" (457mm)	86" (2184mm)
21" (533mm)	86" (2184mm)
24" (610 mm)	96" (2438mm)
30" (762mm)	96" (2438mm)
36" (914mm)	96" (2438mm)

\*For all stationary units with footplates or wall brackets properly attached to the floor or wall, the maximum allowable post height is 96" (2438mm). Stationary units over 96" (2438mm) high are considered Hi-Rise applications and must be submitted to InterMetro engineering for review prior to approval. Consult your Metro representative for details.

<b>Super Erecta &amp; Super Adjustable Super Erecta Stability Guidelines / Allowable Height</b>	
<b>Mobile Units with stem casters</b>	
<b>Shelf Depth</b>	<b>Maximum Allowable Post Height</b>
14" (356mm)	54" (1372mm)
18" (457mm)	74" (1880mm)
21" (533mm)	74" (1880mm)
24" (610 mm)	86" (2184mm)
30" (762mm)	86" (2184mm)
36" (914mm)	86" (2184mm)

<b>Super Erecta &amp; Super Adjustable Super Erecta Stability Guidelines / Allowable Height</b>		
<b>Mobile Units With Dolly Platforms</b>		
<b>Shelf/Dolly Depth</b>	<b>Maximum Allowable Post Height</b>	
	<b>5"(127mm) &amp; 6"(152mm) Casters</b>	<b>8"(203mm) Casters</b>
18"(457mm)	63"(1600mm)	N/A
21"(533mm)	74"(1880mm)	63"(1600mm)
24"(610mm)	86"(2184mm)	74"(1880mm)

1. For best performance, always install bottom shelf as low as possible (for foodservice applications, NSF requires the lowest shelf be at least 6" (152mm) from the floor).
2. Units over 50" (1270mm) must be assembled with at least three shelves, and preferably four or more.
3. Mobile units should only be pushed with the long axis facing the direction of travel.

**REGULATORY:**

1. All Super Erecta and Super Adjustable Super Erecta wire shelf finishes with the exception of designer colors are NSF listed.
2. Stationary Super Erecta Stainless Steel open wire and solid/louvered shelving units along with mobile Super Erecta Stainless Steel open wire and solid louvered shelving carts used in conjunction with 5MDA or 5MFA casters have been tested and approved for use down to and including Fed. Std. 209E Class 1 (ISO Class 3) clean room environments. All other SES shelving configurations and finishes have not been evaluated; therefore, approval for clean room appropriateness would default to that of the clean room supervisor or operator.
3. Super Erecta/Super Adjustable Super Erecta non-magnetic stainless steel mobile units/accessories, and non-magnetic stainless steel stationary units/accessories with stainless steel leveling bolts are acceptable for use in MRI locations where the proximity to magnetic fields would prohibit the use of magnetic cold rolled steel (chrome, bright zinc, Metroseal 3, and designer shelving).

### Nominal Opening Between Shelves (Top of Shelf to Bottom of Shelf Above) =

Post	2 Shelves	3 Shelves	4 Shelves	5 Shelves	6 Shelves	7 Shelves	8 Shelves	9 Shelves	10 Shelves	11 Shelves	12 Shelves	Open
<b>33P</b>	26½"(673mm)	11½"(292mm)	6½"(165mm)	3½"(89mm)	4½"(114mm)	3½"(89mm)						TOP
		11½"(292mm)	6½"(165mm)	3½"(89mm)	4½"(114mm)	3½"(89mm)						2
			6½"(165mm)	3½"(89mm)	4½"(114mm)	3½"(89mm)						3
				4½"(114mm)	4½"(114mm)	3½"(89mm)						4
					5½"(140mm)	3½"(89mm)						5
						4½"(114mm)						6
<b>54P</b>	NR	22½"(572mm)	14"(356mm)	10"(254mm)	8½"(216mm)	6½"(165mm)	5½"(140mm)	4½"(114mm)				TOP
		23"(584mm)	14½"(368mm)	10"(254mm)	8½"(216mm)	6½"(165mm)	5½"(140mm)	4½"(114mm)				2
			14½"(368mm)	10"(254mm)	8½"(216mm)	6½"(165mm)	5½"(140mm)	4½"(114mm)				3
				10½"(267mm)	8½"(216mm)	6½"(165mm)	5½"(140mm)	4½"(114mm)				4
					9½"(241mm)	7½"(191mm)	5½"(140mm)	4½"(114mm)				5
						7½"(191mm)	6½"(165mm)	4½"(114mm)				6
								5½"(140mm)				7
								5½"(140mm)				8
<b>63P</b>	NR	26½"(673mm)	17"(432mm)	12"(305mm)	9½"(241mm)	7½"(191mm)	6½"(165mm)	5½"(140mm)	4½"(114mm)			TOP
		27"(686mm)	17"(432mm)	12"(305mm)	10½"(241mm)	8½"(216mm)	6½"(165mm)	5½"(140mm)	4½"(114mm)			2
			17"(432mm)	12"(305mm)	10½"(241mm)	8½"(216mm)	6½"(165mm)	5½"(140mm)	4½"(114mm)			3
				12½"(318mm)	10½"(241mm)	8½"(216mm)	6½"(165mm)	5½"(140mm)	4½"(114mm)			4
					10½"(241mm)	8½"(216mm)	6½"(165mm)	5½"(140mm)	4½"(114mm)			5
						8½"(216mm)	7½"(191mm)	5½"(140mm)	4½"(114mm)			6
							7½"(191mm)	5½"(140mm)	4½"(114mm)			7
							7½"(191mm)	6½"(165mm)	4½"(114mm)			8
								6½"(165mm)	5½"(140mm)			9
									5½"(140mm)			
<b>74P</b>	NR	32½"(673mm)	21"(533mm)	15"(381mm)	12½"(318mm)	9½"(241mm)	8½"(216mm)	6½"(165mm)	5½"(140mm)	5½"(140mm)	4½"(114mm)	TOP
		33"(838mm)	21"(533mm)	15"(381mm)	12½"(318mm)	9½"(241mm)	8½"(216mm)	7½"(191mm)	6½"(165mm)	5½"(140mm)	4½"(114mm)	2
			21"(533mm)	15"(381mm)	12½"(318mm)	9½"(241mm)	8½"(216mm)	7½"(191mm)	6½"(165mm)	5½"(140mm)	4½"(114mm)	3
				15½"(394mm)	12½"(318mm)	9½"(241mm)	8½"(216mm)	7½"(191mm)	6½"(165mm)	5½"(140mm)	4½"(114mm)	4
					13½"(343mm)	10½"(241mm)	8½"(216mm)	7½"(191mm)	6½"(165mm)	5½"(140mm)	4½"(114mm)	5
						10½"(241mm)	8½"(216mm)	7½"(191mm)	6½"(165mm)	5½"(140mm)	4½"(114mm)	6
							9½"(241mm)	7½"(191mm)	6½"(165mm)	5½"(140mm)	4½"(114mm)	7
								7½"(191mm)	6½"(165mm)	5½"(140mm)	4½"(114mm)	8
									6½"(165mm)	5½"(140mm)	4½"(114mm)	9
										6½"(165mm)	5½"(140mm)	10
											5½"(140mm)	11
<b>86P</b>	NR	38½"(978mm)	24"(610mm)	17"(432mm)	14½"(368mm)	11½"(292mm)	10½"(241mm)	9½"(241mm)	8½"(216mm)	7½"(191mm)	6½"(165mm)	TOP
		38"(965mm)	24½"(622mm)	17"(432mm)	14½"(368mm)	11½"(292mm)	10½"(241mm)	9½"(241mm)	7½"(191mm)	7½"(191mm)	6½"(165mm)	2
			24½"(622mm)	17"(432mm)	15½"(394mm)	11½"(292mm)	10½"(241mm)	8½"(216mm)	7½"(191mm)	6½"(165mm)	5½"(140mm)	3
				17½"(445mm)	15½"(394mm)	11½"(292mm)	10½"(241mm)	8½"(216mm)	7½"(191mm)	6½"(165mm)	5½"(140mm)	4
					15½"(394mm)	12½"(318mm)	10½"(241mm)	8½"(216mm)	7½"(191mm)	6½"(165mm)	5½"(140mm)	5
						12½"(318mm)	9½"(241mm)	8½"(216mm)	7½"(191mm)	6½"(165mm)	5½"(140mm)	6
							8½"(216mm)	7½"(191mm)	6½"(165mm)	5½"(140mm)	5½"(140mm)	7
								8½"(216mm)	7½"(191mm)	6½"(165mm)	5½"(140mm)	8
									7½"(191mm)	6½"(165mm)	5½"(140mm)	9
										6½"(165mm)	5½"(140mm)	10
											5½"(140mm)	11

## SES/SASE SUPER SLIDE APPLICATION

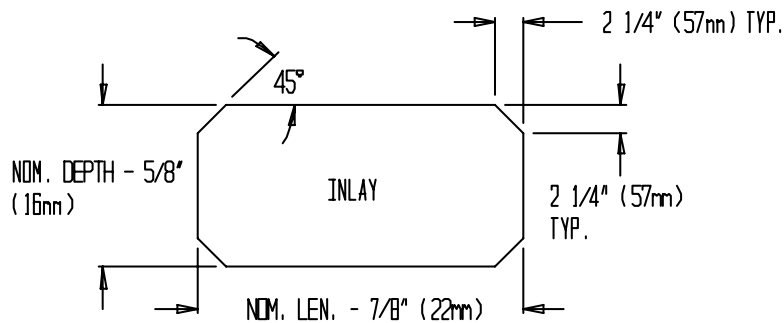
<b>SS2NC/K3 SUPER SLIDE –24” DEEP SHELF</b>		
<b>SHELF SIZE</b>	<b>SUPER ERECTA</b>	<b>SUPER ADJUSTABLE</b>
24 x 24	1 Slide	N/A
24 x 30	1 Slide	1 Slide
24 x 36	1 Slide	1 Slide
24 x 42	2 Slides	1 Slide
24 x 48	2 Slides	2 Slides
24 x 54	2 Slides	2 Slides
24 x 60	2 Slides	2 Slides
24 x 72	3 Slides	3 Slides
<b>SS3NC/K3 SUPER SLIDE –21” DEEP SHELF</b>		
<b>SHELF SIZE</b>	<b>SUPER ERECTA</b>	<b>SUPER ADJUSTABLE</b>
21 x 24	1 Slide	1 Slide
21 x 30	2 Slides	1 Slide
21 x 36	2 Slides	2 Slides
21 x 42	2 Slides	2 Slides
21 x 48	3 Slides	3 Slides
21 x 54	3 Slides	3 Slides
21 x 60	4 Slides	4 Slides
21 x 72	5 Slides	4 Slides
<b>SS4NC/K3 SUPER SLIDE –21” DEEP SHELF</b>		
<b>SHELF SIZE</b>	<b>SUPER ERECTA</b>	<b>SUPER ADJUSTABLE</b>
21 x 24	N/A	N/A
21 x 30	1 Slide	1 Slide
21 x 36	1 Slide	1 Slide
21 x 42	1 Slide	1 Slide
21 x 48	1 Slide	1 Slide
21 x 54	2 Slides	2 Slides
21 x 60	2 Slides	2 Slides
21 x 72	2 Slides	2 Slides

**Note:**

Charts representS the number of super slides that will fit on a shelf – slides may need to be removed from the shelf in some instances to release the Super Adjustable handle.

## SUPER ERECTA / SUPER ADJUSTABLE Misc. Information

1. How much space between shelves will the 9994Z post clamp add? **5/32" (4mm)** between base of collars, and **7/32" (6mm)** between snake frames.
2. How much space between shelves will the 9995Z S-Hook add? **3/32" (2mm)**.
3. Can SES ledges be used in the center of a shelf? **Yes, as long as there is a center snake to support it.**
4. Can shelf dividers be used in conjunction with shelf inlays? **No, unless the inlays were trimmed or notched.**
5. Can shelf dividers be used in conjunction with 4" high center ledges? **Yes.**
6. Are the 1" high and 4" high shelf ledges stackable? **The 1" high aren't, but the 4" high are.**
7. What are the maximum load ratings for the SS2NC, SS3NC, and SS4NC super slides? **All are rated at 25 lbs. (11.3 kg.) max. per slide level, or not to exceed 50 lbs. (22.6 kg.) per slide system.**
8. Will any of the super slides fit the 30" (762mm) or 36" (914mm) deep shelves? **Only the SS2NC slides will fit on the 30" and 36" deep shelves.**
9. Will 12" x 20" (305mm x 508mm) steam table pans or 18" x 26" (457mm x 660mm) bun pans fit in any of the super slides? **No, the slides are only intended for tote boxes.**
10. What are the maximum load ratings for the 15SNC/K3 and the 20SNC/K3 tray slides? **Both are rated at 20 lbs. (9 kg.) max. per slide level, or not to exceed 50 lbs. (22.6 kg.) per slide system.**
11. What is the clearance between shelves when using the 15SNC/K3 and 20SNC/K3 tray slides? **The overall clearance is approximately 20-5/8" (524mm)**
12. Will the 15SNC/K3 or the 20SNC/K3 fit on 30" (762mm) or 36" (914mm) deep shelves? **Only the 20SNC/K3 will fit 30" and 36" deep shelves.**
13. What are the required cut dimensions for inlays to fit Super Erecta and Super Adjustable shelves? **See diagram below.**





**SES/SASE CHEMICAL RESISTANCE**

	Nickel Chrome	Stainless Steel	Super Brite	Metroseal 3	Designer (Epoxy)
<b>ACID, INORGANIC</b>	<b>RANK</b>	<b>RANK</b>	<b>RANK</b>	<b>RANK</b>	<b>RANK</b>
Hydrochloric acid (37%)	3	3	3	1	1
Nitric acid (10%)	2	1	3	1	1
Nitric acid (70%)	3	1	3	3	3
Phosphoric acid (10%)	2	1	2	2	2
Phosphoric acid (85%)	2	1	3	2	2
Sulfuric acid (10%)	2	2	3	1	1
Sulfuric acid (30%)	3	3	3	2	2
Sulfuric acid (98%)	3	3	3	3	3
<b>ACID, ORGANIC</b>					
Acetic acid (5%)	2	1	2	2	2
Acetic acid (50%)	3	2	4	3	3
Acetic acid (glacial)	4	2	4	4	4
Citric acid (10%)	1	1	1	1	1
Oleic acid	1	1	2	1	1
<b>ALCOHOL</b>					
Ethanol	1	1	1	1	1
Isopropyl (2-propanol)	4*	1	4*	1	1
Methanol	1	1	1	1	1
<b>ALDEHYDE</b>					
Formaldehyde (37%)	1	1	1	1	1
<b>AMIDE</b>					
Dimethyl formamide (DMF)	2	2	2	3	3
<b>BASE</b>					
Ammonium Hydroxide	2	2	2	1	1
Sodium Hydroxide	2	2	3	1	1
<b>CLEANING MATERIAL</b>					
Ammonia	2	2	2	1	1
Bleach	2	2	2	2	2
Detergent	1	1	1	1	1
Quaternary Ammonia	1	1	1	2	2
<b>Commercial Compound</b>					
Anti-freeze	2	2	2	1	1
<b>ESTER</b>					
Diocetyl phthalate (DOP)	2	2	2	1	1
<b>ETHER</b>					
Ethyl ether	2	2	2	2	2
<b>FOODSTUFF</b>					
Orange juice	1	1	1	1	1
Salad oil	1	1	1	1	1
Vegetable oil	1	1	1	1	1
Vinegar	2	1	2	2	2
<b>HALOGEN</b>					
Carbon tetrachloride	1	1	3	1	1
Chlorine	2	2	3	2	2
Freon	2	2	3	1	1
Methylene Chloride	1	1	3	1	1
Perchloroethylene	1	1	3	1	1
Trichloroethylene	1	1	3	1	1
<b>HYDROCARBON, ALIPHATIC</b>					
Kerosene	2	2	2	2	1
<b>HYDROCARBON, AROMATIC</b>					
Benzene	2	2	2	2	2
Naptha	2	2	2	1	1
Toluene	1	1	2	1	1
<b>HYDROCARBON, COMMON</b>					
Brake fluid	2	2	2	1	1
Diesel fuel	1	1	1	1	1
Engine oil	1	1	1	1	1
Gasoline	2	2	2	1	1
Grease	1	1	1	1	1
Hydraulic fluid	2	2	2	1	1
Turpentine	1	1	1	1	1
<b>KETONE</b>					
Acetone	1	1	1	2	2
Methyl ethyl ketone (MEK)	1	1	1	2	2
<b>ORGANIC COMPOUND</b>					
Hydrogen peroxide (30%)	2	2	2	3	3
Phenol	1	1	1	2	2

**Key To Ranking Chemical Resistance**

1. Excellent – For use under normal conditions.
2. Acceptable – Long term exposure under severe conditions (high temperature, stress, etc.) may cause loss of mechanical properties or appearance.
3. Marginal – For use only where significant loss of mechanical properties or appearance is acceptable.
4. Do not use – Causes severe degradation.

\*Ratings for Chrome and Super Brite in conjunction with Isopropyl Alcohol are for Chrome and Brite with Metrolac finish. For Chrome and Brite without Metrolac finish, Chemical resistance ratings are rated as 1.

**NOTE: All ratings are based on standard product operating temperatures as defined in the product application chart.**

A resistance rating of 1 or 2 is considered to be within acceptable limits of the product and should not be cause for concern.