

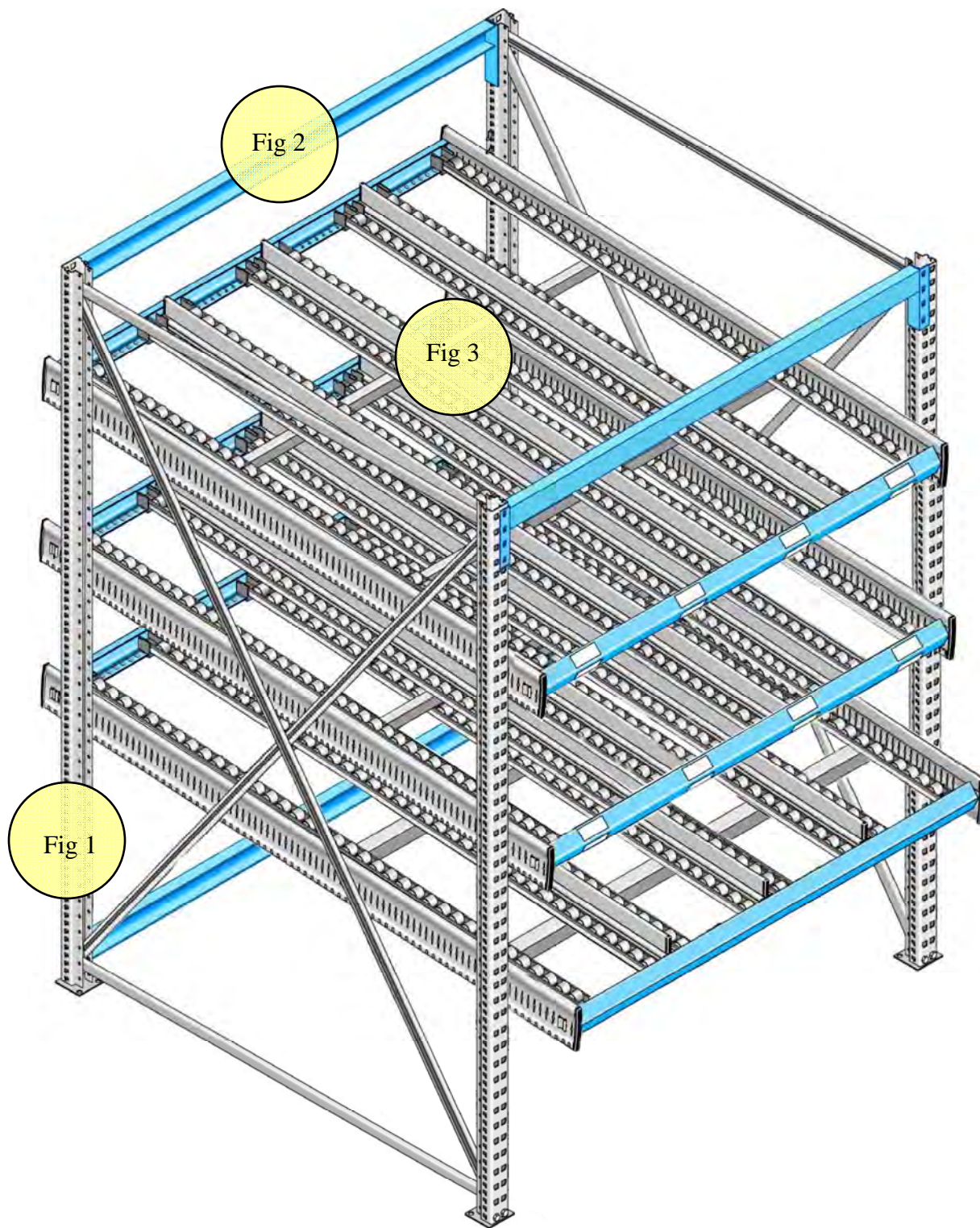
KDR Flow Rack System Installation Instructions



Concept Photo Only

KDR Flow Rack System

Configuration for



Note: For clarity, only 8 rollers and 3 dividers are shown. Actual unit is equipped with 12 rollers and 6 dividers

Component Sets

(See illustration-Page 1)

KDRSU.XXXXS Starter (Stand-Alone) Unit consists of:
 (W" X L")
 (2) **KRP63.0850 Thru. 1450CH** Frame MMD x 78.75"H (Fig1)
 (3) **KAT1350 Thru. 2700mm** Cross Beam 53" to 106" (Fig2)
 (3) **KDRSL.041053 Thru. 123106** Flow Level (41" X 53")to(123"X106" (Fig3)

KDRAU.XXXXS Add-On Unit consists of:
 (W" X L")
 (1) **KRP63.0850 Thru. 1450CH** Frame MMD x 78.75"H (Fig1)
 (3) **KAT1350 Thru. 2700 mm** Cross Beam 53" to 106" (Fig2)
 (3) **KDRSL.041053 Thru. 123106** Flow Level (41" X 53")to(123"X106" (Fig3)

Component Material List

All components are galvanized except where indicated below
 (See Illustrations on the following pages)

KRP63.0850, 1250, &1450CH Frame

- 2) KDR63.POST1994 UPRIGHT POST 78.5" (Pg3 #1)
- 2) KDR.FP FOOTPLATE (Pg3 #2)
- 2) KDR.SPACER SPACER, BRACE (Pg3 #3)
- 4) WASHER.M8 WASHER, FOOTPLATE (Pg3 #4)
- 2) KDR.LB LATERAL BRACE 54.5" (Pg3 #5)
- 2) KDR.DB DIAGONAL BRACE 86.8" (Pg3 #6)
- 8) BOLT.M8X45 BOLT, BRACE (Pg3 #7)
- 4) BOLT.M8X25 BOLT, FOOTPLATE (Pg3 #8)
- 12) LOCKNUT.M8 NUT (FOR ALL BOLTS) (Pg3 #9)
- 2) KDR.ANCHOR ANCHOR BOLT (Pg3 #10)
- 2) KDR.SHIM SHIM PLATE (Pg3 #11)

KDRSL.041053 Thru. 123106 Flow Level

- 2) KSW.Length SIDE PROFILE 74.8" (Pg4 #16)
- 1) KQV.1350/2700 FRONT PROFILE 53"to106" Painted Blue (Pg4 #17)
- 1) KQH.1350/2700 REAR PROFILE 53"to106" Painted Blue (Pg4 #18)
- 2) KQI40.1350/2700 CENTER PROFILE 53" to106" (Pg4 #19)
- 4) K.AK1 END CAP MOLDED BLACK PLASTIC (Pg4 #20)
- 4) K.LV1 SIDE PROFILE PLATE (Pg4 #21)
- 4) K.LQ1 PROFILE PLATE CONNECTOR (Pg4 #22)
- 4) K.VH1 I SUPPORT CLIP (Pg6 #23)
- 2) K.SA1 REAR SUPPORT CLIP (Pg6 #24)
- 4) BOLT.M8X16T BOLT, FRONT/REAR PROFILES (Pg4 #25)
- 4) NUT.LOCKM8 NUT (Pg4 #26)
- 12) KR28S-Length ROLLER TRK STL AXLE 1.1" C/C, 00.00"L (Pg5 #27)
- 6) KTL. Length DIVIDER 00.00"L (Pg5 #28)
- 36) KDR.RKCLIP PLASTIC CLIP, ROLLER/DIVIDER (Pg5 #29)

KAT1350 Thru. 2700 Crossbeam

- 1) K.AT1350/2700 CROSS BEAM 53"Tru 106" PAINTED BLUE (Pg3 #12)
- 2) BOLT.M8X20 BOLT, BEAM (Pg3 #13)
- 2) NUT.LOCKM8 NUT, BEAM (Pg3 #14)
- 2) WASHER.M8 WASHER, BEAM (Pg3 #15)

KDR Flow Rack System

Configuration for

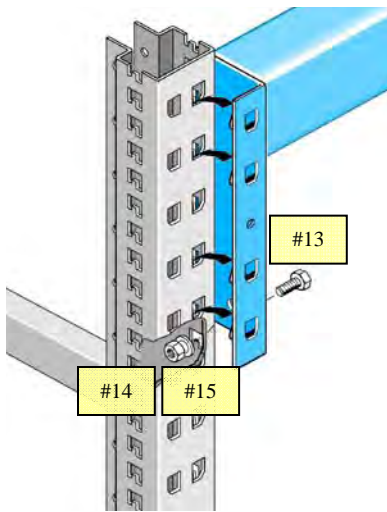


Fig 4

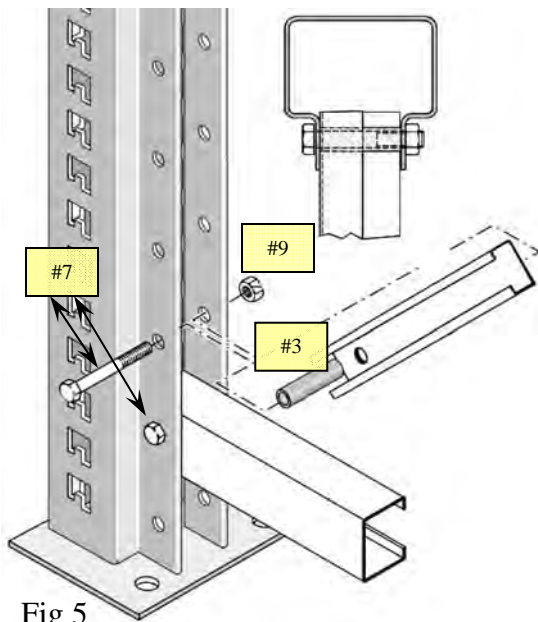
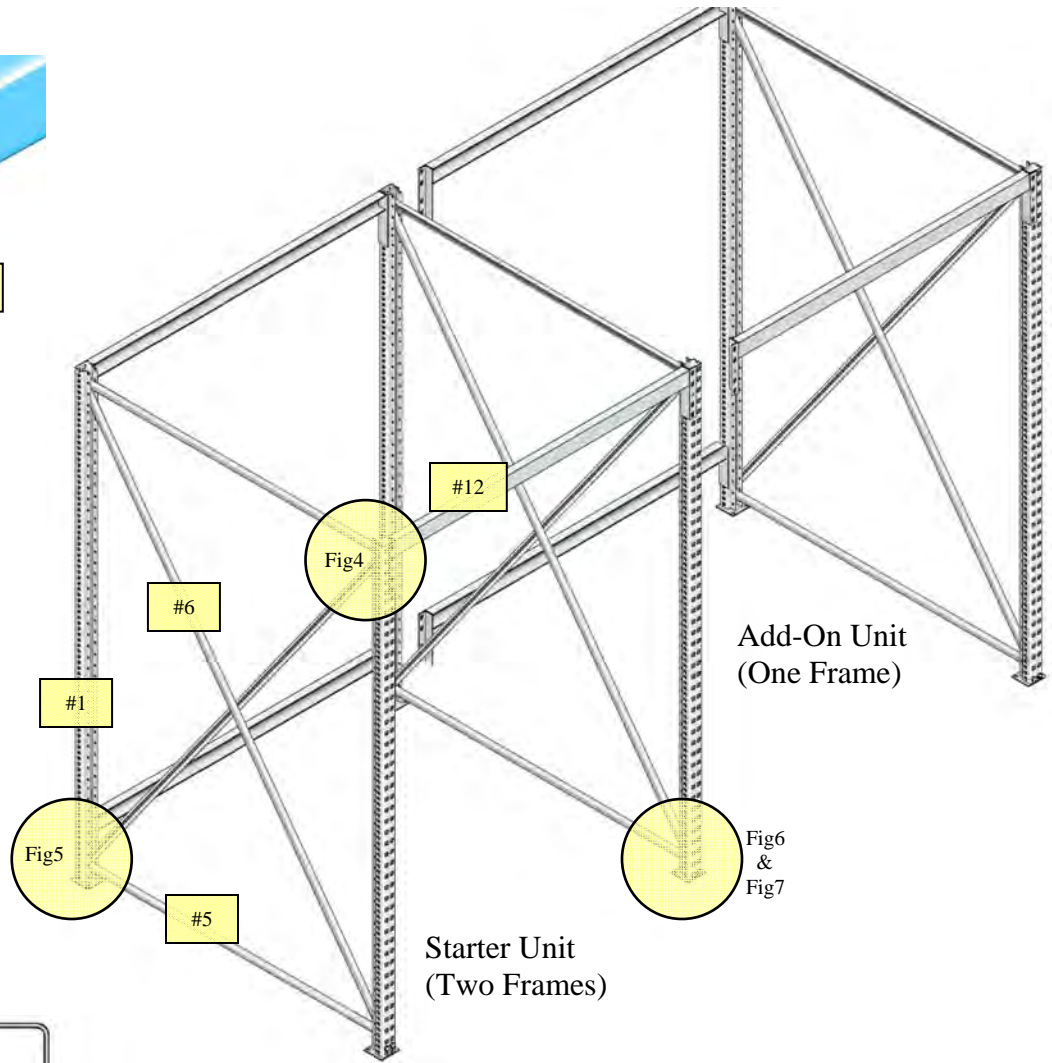


Fig 5

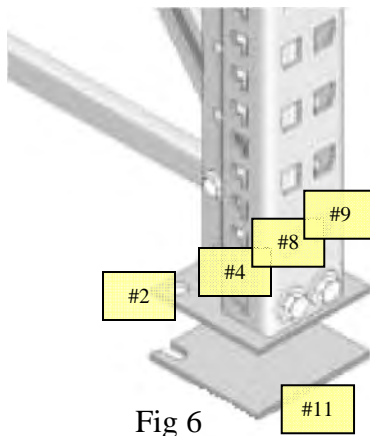


Fig 6

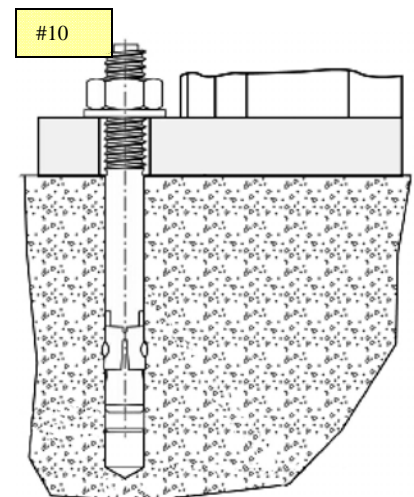
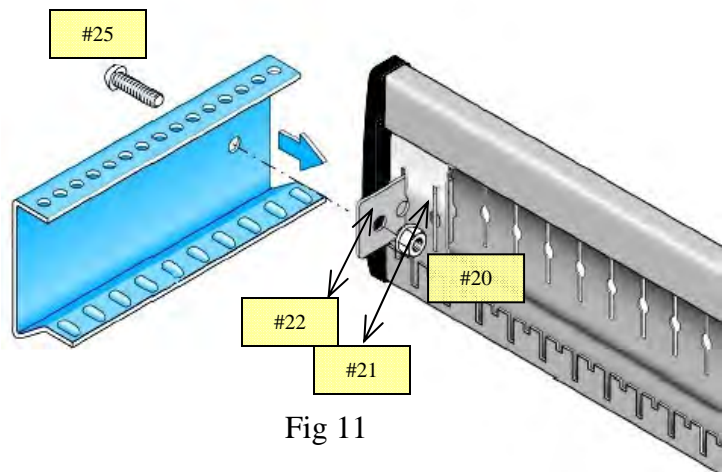
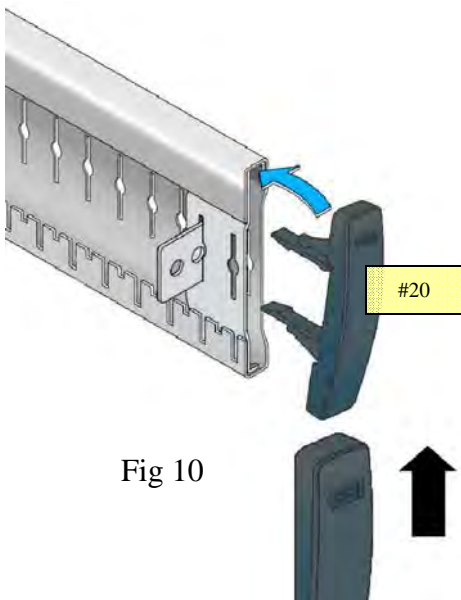
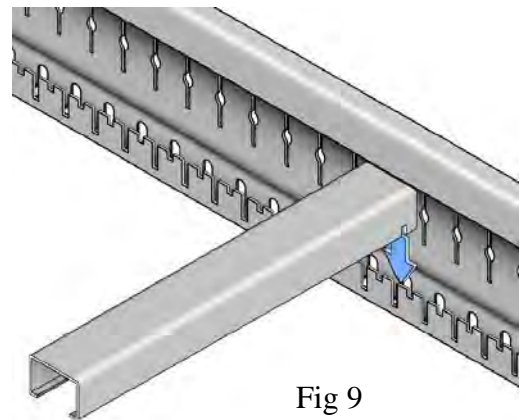
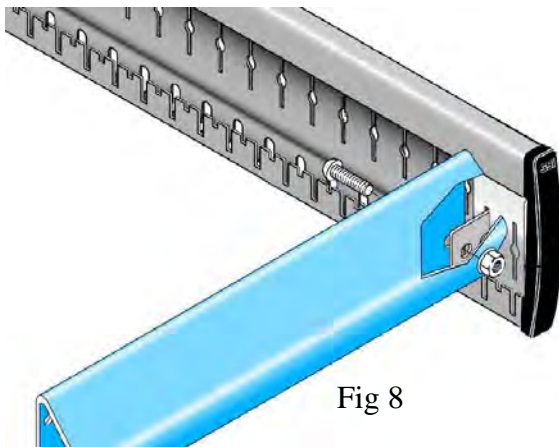
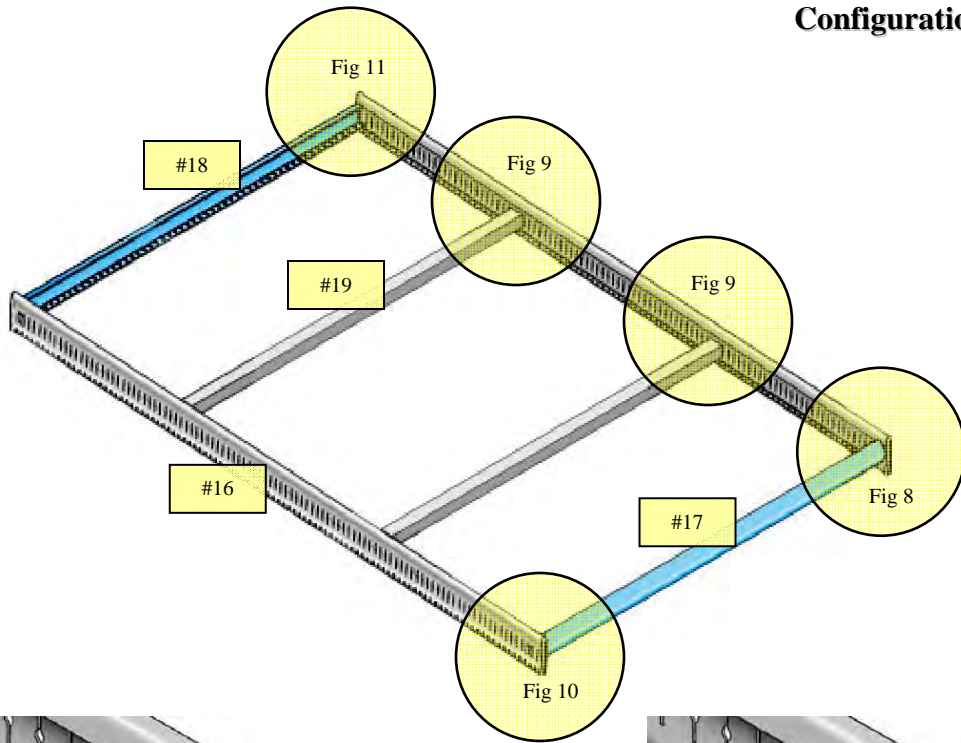


Fig 7

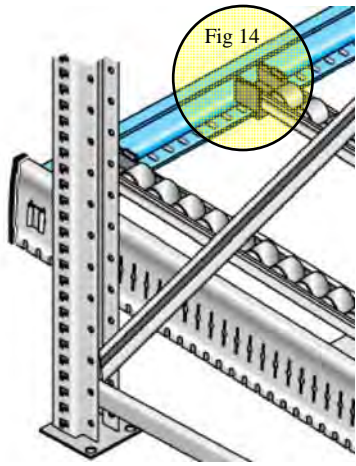
KDR Flow Rack System

Configuration for

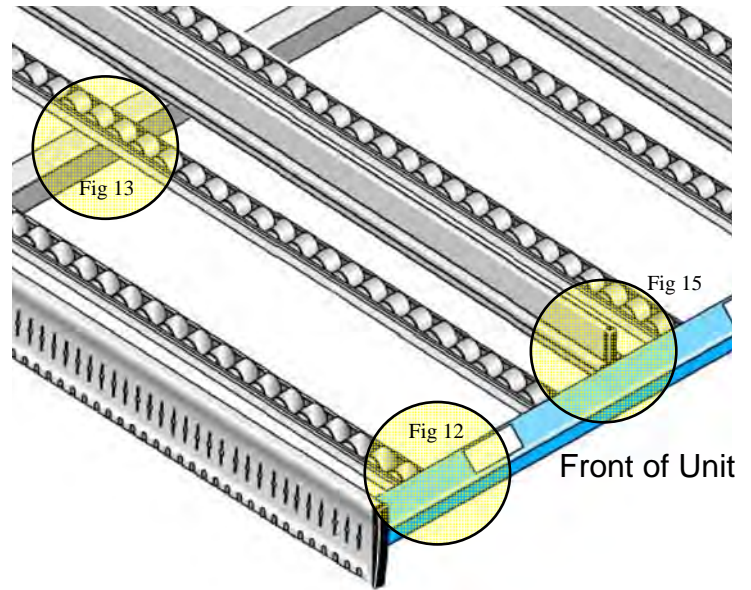


KDR Flow Rack System

Configuration for



Rear of Unit



Front of Unit

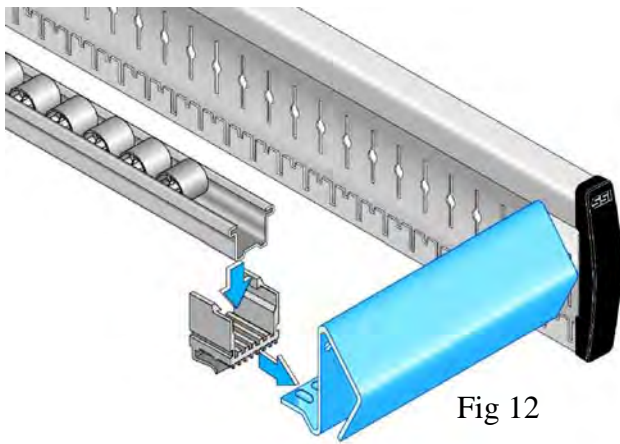


Fig 12

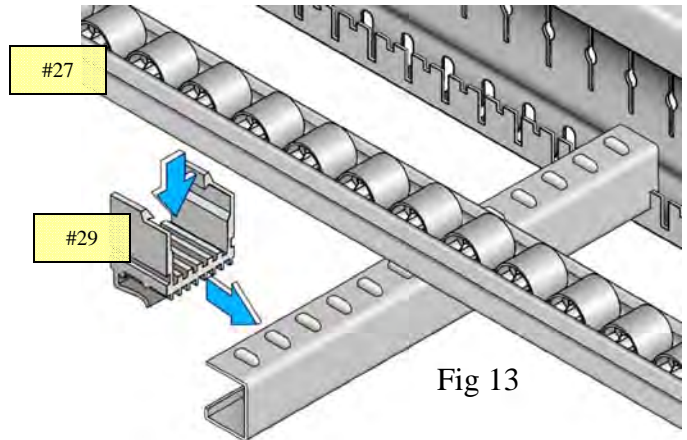


Fig 13

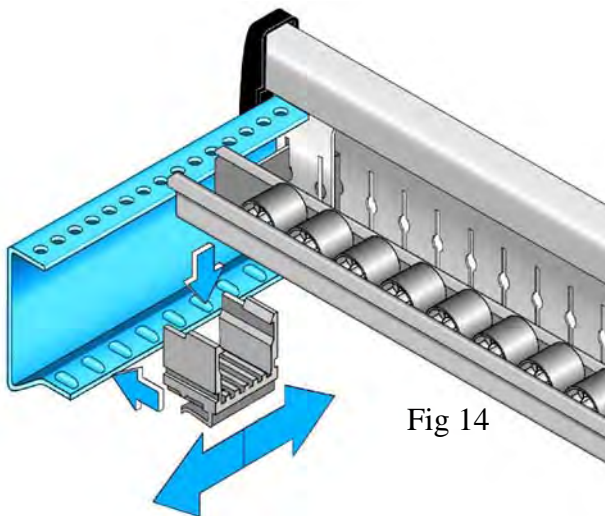


Fig 14

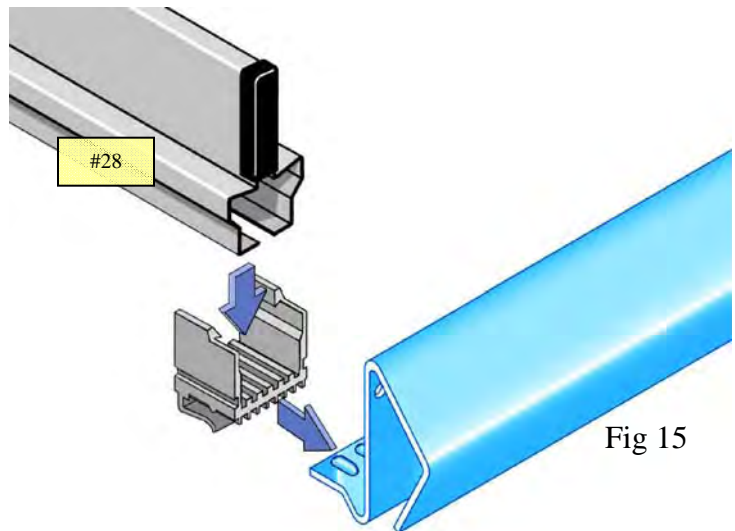


Fig 15

KDR Flow Rack System

Configuration for

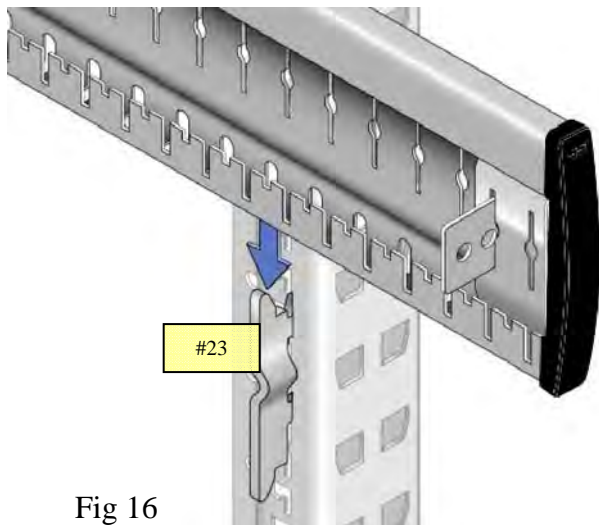
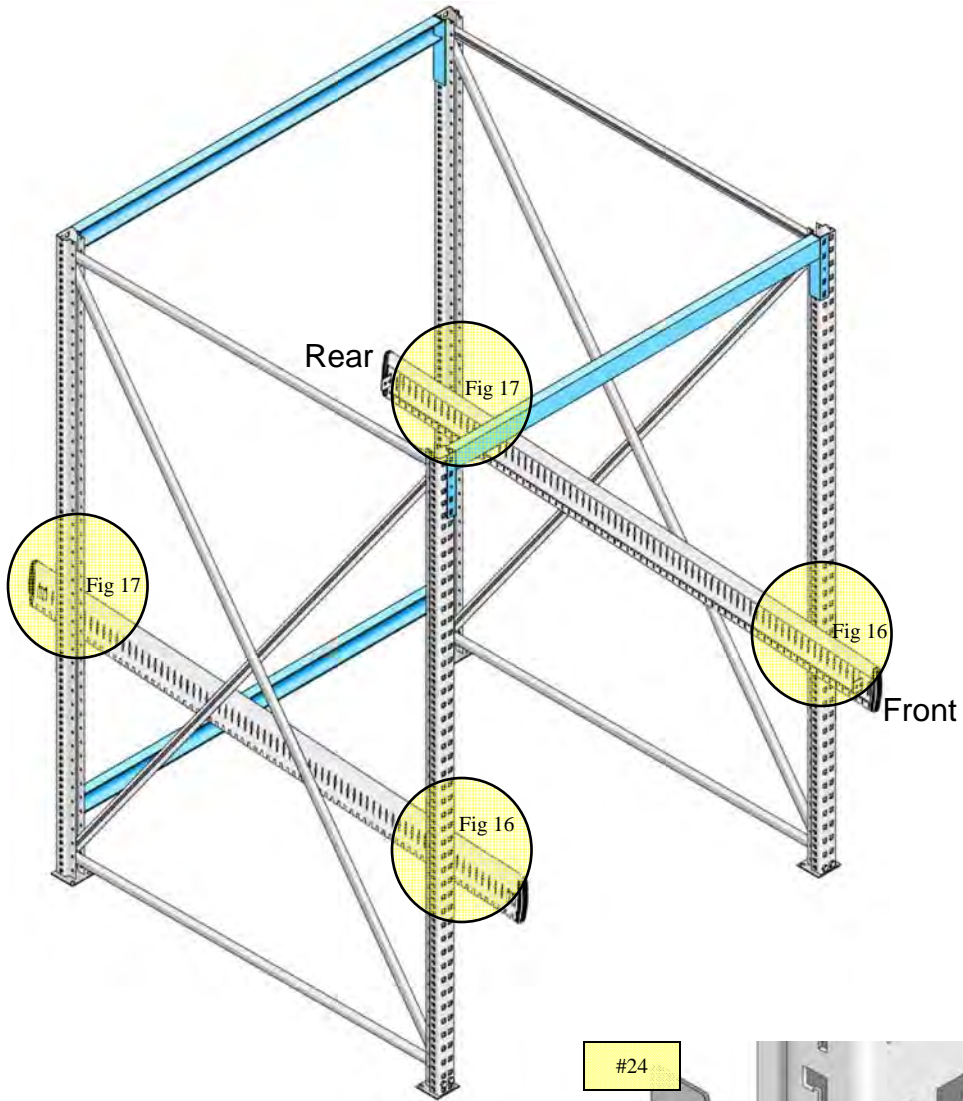


Fig 16

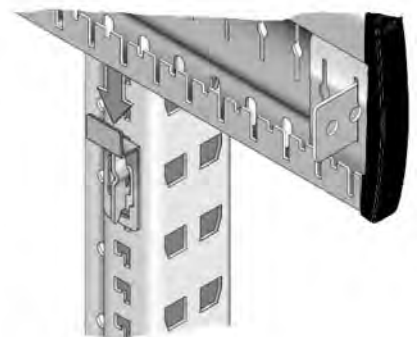
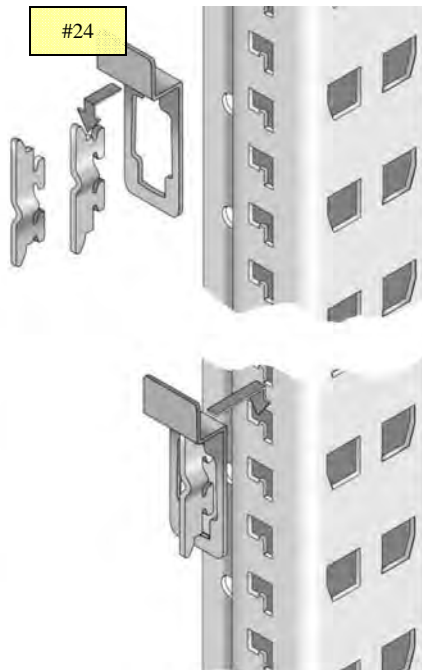
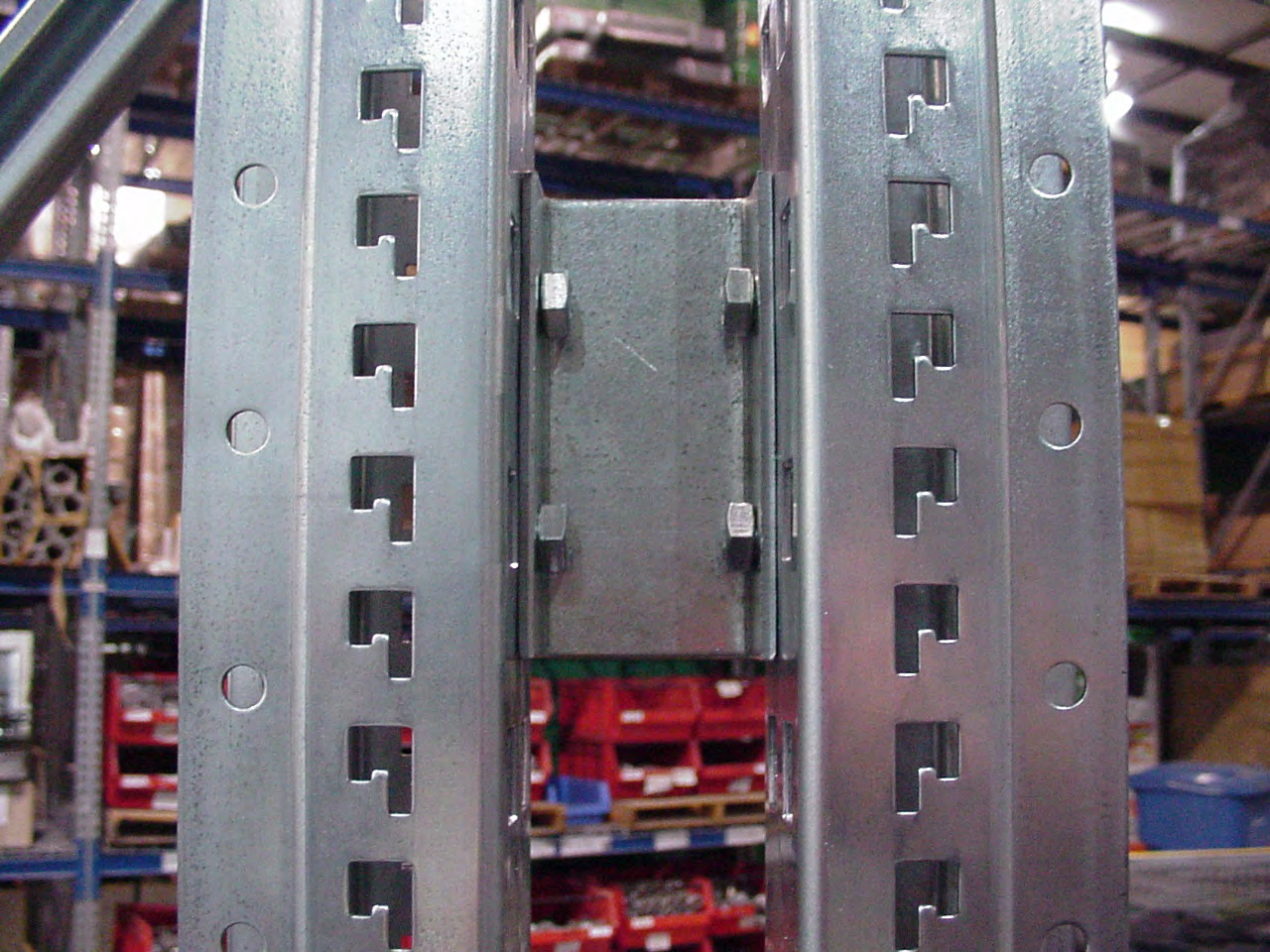


Fig 17





10021 Westlake Drive
Charlotte, NC 28273
Ph 704-944-4500
Fx 704-588-9094