

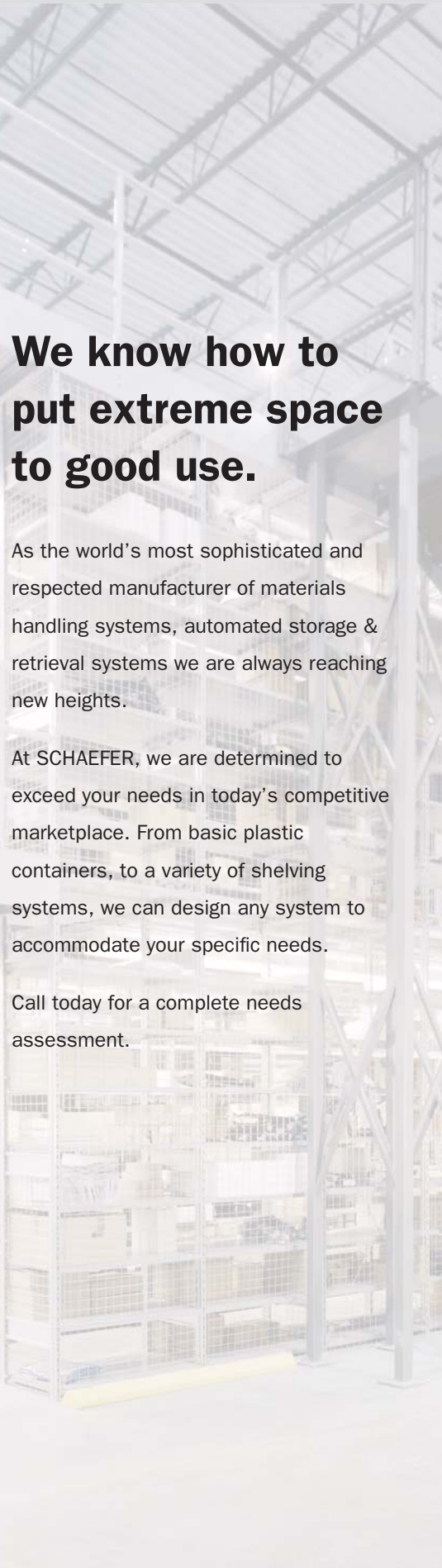


## **We know how to put extreme space to good use.**

As the world's most sophisticated and respected manufacturer of materials handling systems, automated storage & retrieval systems we are always reaching new heights.

At SCHAEFER, we are determined to exceed your needs in today's competitive marketplace. From basic plastic containers, to a variety of shelving systems, we can design any system to accommodate your specific needs.

Call today for a complete needs assessment.



## R3000 Shelving

### A Versatile and Economical Storage Solution

The R3000 shelving system is the most highly engineered shelving system available on the market today. This unique, modular system was developed especially for high bay load capacities and multi-level storage applications.

R3000 uprights can be produced up to 33 ft. in continuous length, which offers significant structural advantages when it is used in multi-level applications. It provides the ability to create a catwalk at any point.

R3000 is compatible with the broad range of shelving and accessories available from Schaefer to meet changing needs without a substantial reinvestment.



Open front container for easy parts storage and retrieval



**Rk Shelf Containers**

### R3000 Accessories

- Doors
- Drawers
- Dividers: Free-standing and full-height
- Bin fronts
- Trays
- Over 25 compatible storage containers to maximize cube

### Features

- Uprights are closed, seamless interior welded, double box-style configuration
- Industry exclusive Schaefer pre-punched lug design
- Uprights are 1 3/16" x 2 3/8"
- Lugs are spaced at 2" for flexible, easy shelf arrangement
- 10,000 lbs. bay load capacity
- End frames available in 12", 16", 18", 20", 24" and 32" depths and in standard heights of 85.5", 98" and 118"
- Shelves are single or double box design
- Boltless and clipless placement of shelves within a bay
- Shelves adjust easily, even fully loaded
- Shelves can be tilted 6° or 12° for ergonomic picking and stock visibility
- Two units connect easily back to back to create double sided picking
- End frames are shipped pre-assembled
- Frames are all galvanized construction
- All frames are equipped with footplates
- Seismic footplates available



**Fully Decked Catwalk**

## Upright Frames For Single-Level Units

Frame Heights 85.5", 98", and 118"

### R3000 Cross Braces

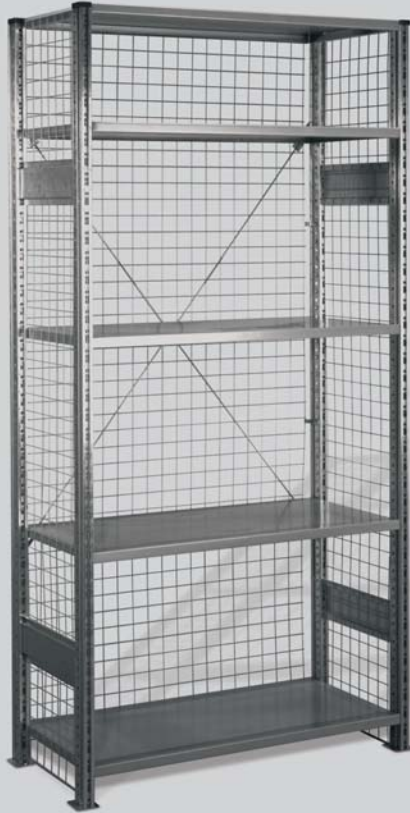
Required for Each Stand-Alone Unit and for Every Third Bay in a Row

### R3000 Cross Braces

36/39" W	48/50.5" D	Height
CB393	CB503	85.5"
CB393	CB503	98"
2x CB393	2x CB503	118"

### Cross Bracing

- To increase lateral stability, cross bracing every third bay is recommended
- Not necessary to use cross braces on every unit, as with other shelving
- Cross bracing helps contour bays to the floor, eliminating the need for shims
- Back-to-back bays with standard 1/4" frame connector can share a common cross brace



Wire Mesh Side and Back Panel with Cross Brace

### R3000 Frames Assembled

12" D	16" D	18" D	20" D	24" D	32" D	Height
FR12085	FR16085	FR18085	FR20085	FR24085	FR32085	85.5"
FR12098	FR16098	FR18098	FR20098	FR24098	FR32098	98"
FR12118	FR16118	FR18118	FR20118	FR24118	FR32118	118"

### Frame Connector

To Tie and Space Frames Back-to-Back

### Frame Connectors

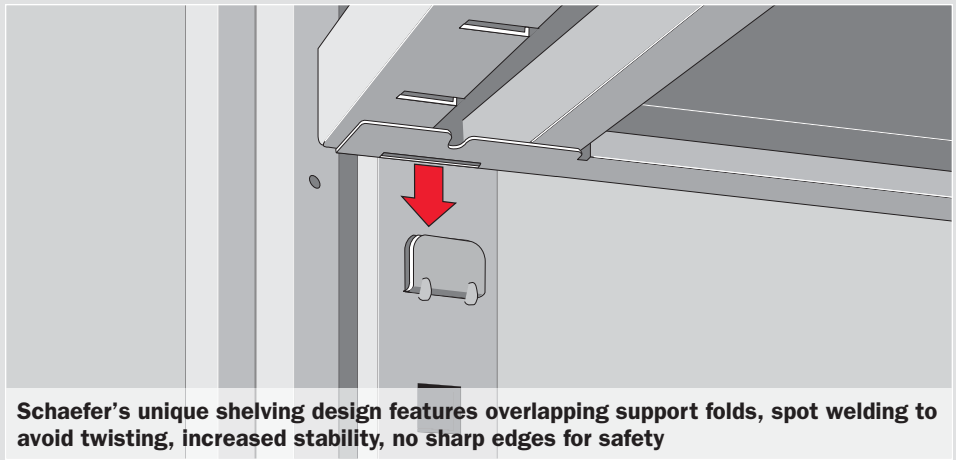
Order #	Space
R3FC.0061	0.25"
R3FC.0301	1.18"
R3FC.0051	2"
R3FC.3101	4"
R3FC.3001	12"



## R3000 Adjustable Shelves

Schaefer offers two unique types of shelves which are not available anywhere else on the market. Both shelves effectively distribute weight for added load capacity.

- Single box shelf supports up to 600lbs. and has two more bends than other box-style shelves
- The double box shelf supports up to 1,000 lbs. and is also the only one of its kind available on the market
- Shelves have a lap and welded seam design with reinforced corners
- Shelves are slotted at 1 1/2" intervals for drop-in dividers
- Shelves come standard in galvanized finish or painted gray finish
- Shelves can be adjusted to a 6° or 12° tilt by simply raising the back of the shelf one or two lug positions
- No tools or additional hardware are required to adjust the angle of the shelves
- The shelf widths are actual clear bay widths between posts
- To calculate bay widths, add 2 3/8" to shelf for (starter) unit and 1 3/16" (and shelf width) for every subsequent add-on bay.

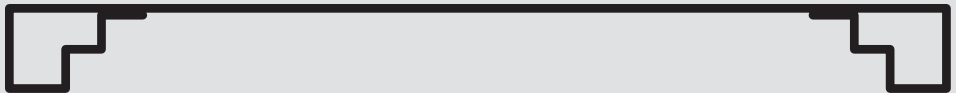


### R3000 Adjustable Shelves

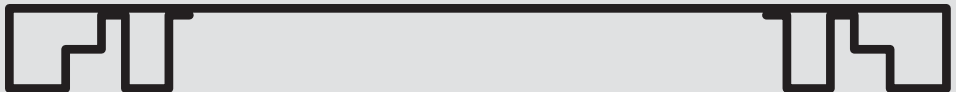
Painted Single Box 600 lb. Cap.	Painted Gray Double Box 1,000 lb. Cap.	Galvanized Single Box 600 lb. Cap.	Galvanized Double Box 1,000 lb. Cap.	Shelf Depth	Shelf Width
<b>S1236.HGY2</b>	—	—	—	12"	36"
<b>S1836.HGY2</b>	<b>S1836.XGY2</b>	—	—	18"	36"
<b>S2436.HGY2</b>	<b>S2436.XGY2</b>	—	—	24"	36"
<b>S1239.HGY2</b>	<b>S1239.XGY2**</b>	<b>S1239.HGV2</b>	—	12"	39"
<b>S1639.HGY2</b>	<b>S1639.XGY2</b>	<b>S1639.HGV2</b>	<b>S1639.XGV2</b>	16"	39"
<b>S2039.HGY2</b>	<b>S2039.XGY2</b>	<b>S2039.HGV2</b>	<b>S2039.XGV2</b>	20"	39"
<b>S2439.HGY2</b>	<b>S2439.XGY2</b>	<b>S2439.HGV2</b>	<b>S2439.XGV2</b>	24"	39"
<b>S3239.HGY2*</b>	<b>S3239.XGY2</b>	<b>S3239.HGV2*</b>	<b>S3239.XGV2</b>	32"	39"
<b>S1248.HGY2</b>	—	—	—	12"	48"
<b>S1848.HGY2</b>	<b>S1848.XGY2</b>	—	—	18"	48"
—	<b>S2448.XGY2</b>	—	—	24"	48"
<b>S1650.HGY2</b>	—	<b>S1650.HGV2</b>	—	16"	50.5"
—	<b>S2050.XGY2</b>	—	<b>S2050.XGV2</b>	20"	50.5"
—	<b>S2450.XGY2</b>	—	<b>S2450.XGV2</b>	24"	50.5"
—	<b>S3250.XGY2</b>	—	<b>S3250.XGV2</b>	32"	50.5"

\* Double Box  
\*\* Single Box with Center Support

**Single-box construction, up to 600 lbs. load capacity** >



**Double-box construction, up to 1,000 lbs. load capacity** >



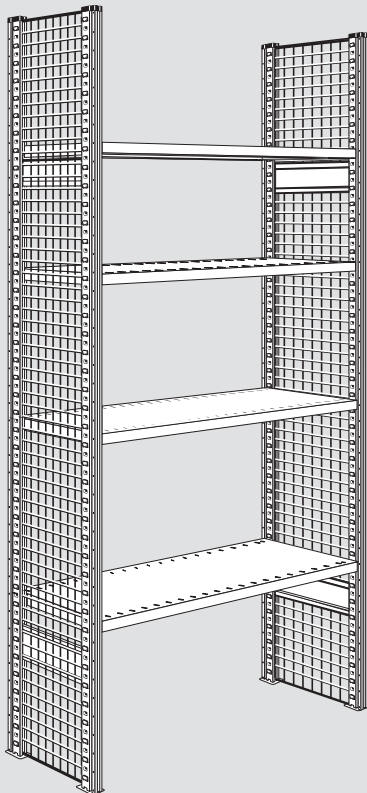
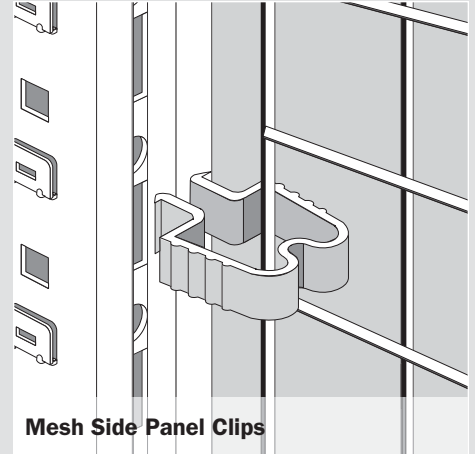
## R3000 Side & Back Panels

### Wire Mesh Side & Back Panels

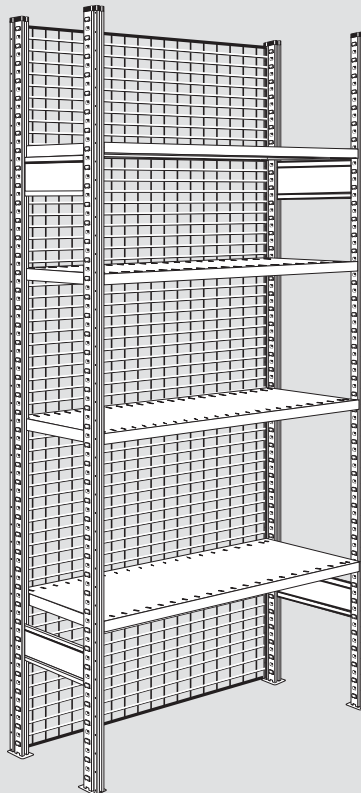
Bright galvanized, 10 gauge steel, 2" square. Side and back panels are secured with special clips.

#### R3000 Side Panels

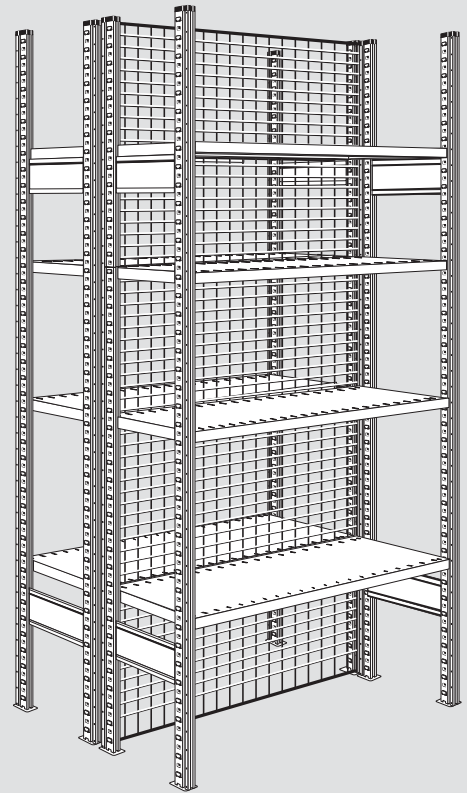
Height	Depth	Solid Side Panel	Wire Side Panel
85.5"	12"	SP3.12085G1	SP3.12085W1
	16"	SP3.16085G1	SP3.16085W1
	18"	SP3.18085G1	SP3.18085W1
	20"	SP3.20085G1a	SP3.20085W1
	24"	SP3.24085G1	SP3.24085W1
	32"	SP3.32085G1	SP3.32085W1
98"	12"	SP3.12098G1	SP3.12098W1
	16"	SP3.16098G1	SP3.16098W1
	18"	SP3.18098G1	SP3.18098W1
	20"	SP3.20098G1	SP3.20098W1
	24"	SP3.24098G1	SP3.24098W1
	32"	SP3.32098G1	SP3.32098W1
118"	12"	SP3.12118G1	SP3.12118W1
	16"	SP3.16118G1	SP3.16118W1
	18"	SP3.18118G1	SP3.18118W1
	20"	SP3.20118G1	SP3.20118W1
	24"	SP3.24118G1	SP3.24118W1
	32"	SP3.32118G1	SP3.32118W1



Mesh Side Panel



Mesh Back Panel



Double Unit with Mesh Center Panel

## Solid Side Panels

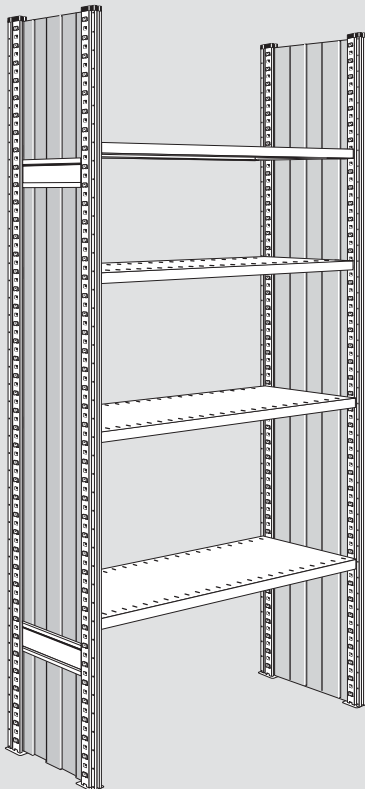
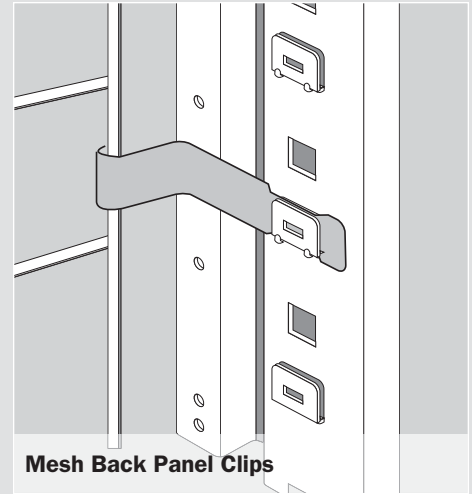
Galvanized steel. To install, lean side panel against side brace in end frame. When shelves are installed, side panel is held in place between end frame and shelves.

## Solid Back Panels

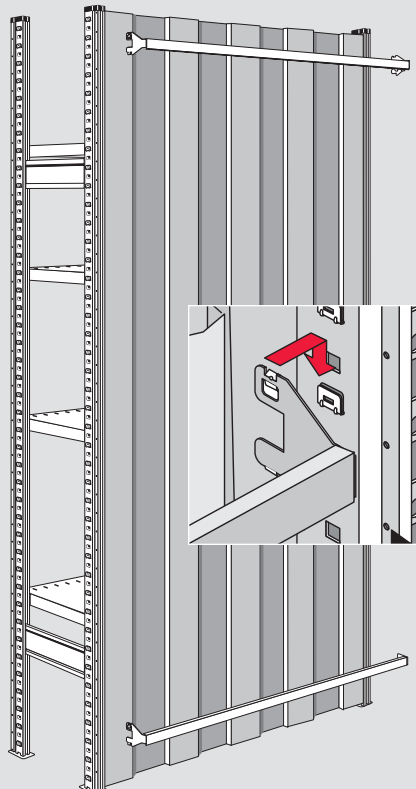
Galvanized steel. Three interlocking panels. Back panels are secured with 2 beams which fit over the back panels and hook into the lugs on the end frame. Center panels are placed between back to back storage bays.

### R3000 Back Panels

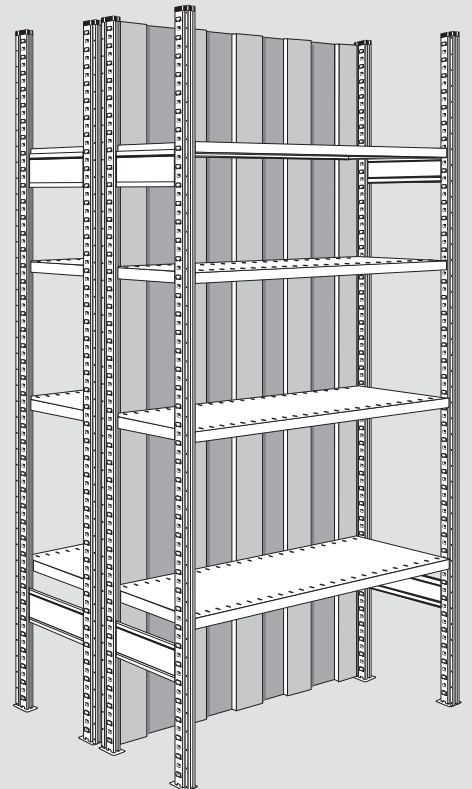
Height	Width	Solid Back Panel	Wire Back Panel
85.5"	36"	<b>BP3.36085G1</b>	<b>BP3.36085W1</b>
	39"	<b>BP3.3985G1</b>	<b>BP3.39085W1</b>
	48"	<b>BP3.4885G1</b>	<b>BP3.4885W1</b>
	50.5"	<b>BP3.5085G1</b>	<b>BP3.5085W1</b>
98"	36"	<b>BP3.3698G1</b>	<b>BP3.3698W1</b>
	39"	<b>BP3.3998G1</b>	<b>BP3.3998W1</b>
	48"	<b>BP3.4898G1</b>	<b>BP3.4898W1</b>
	50.5"	<b>BP3.5098G1</b>	<b>BP3.5098W1</b>
118"	36"	<b>BP3.36118G1</b>	<b>BP3.36118W1</b>
	39"	<b>BP3.39118G1</b>	<b>BP3.39118W1</b>
	48"	<b>BP3.48118G1</b>	<b>BP3.48118W1</b>
	50.5"	<b>BP3.50118G1</b>	<b>BP3.50118W1</b>



**Solid Side Panel**



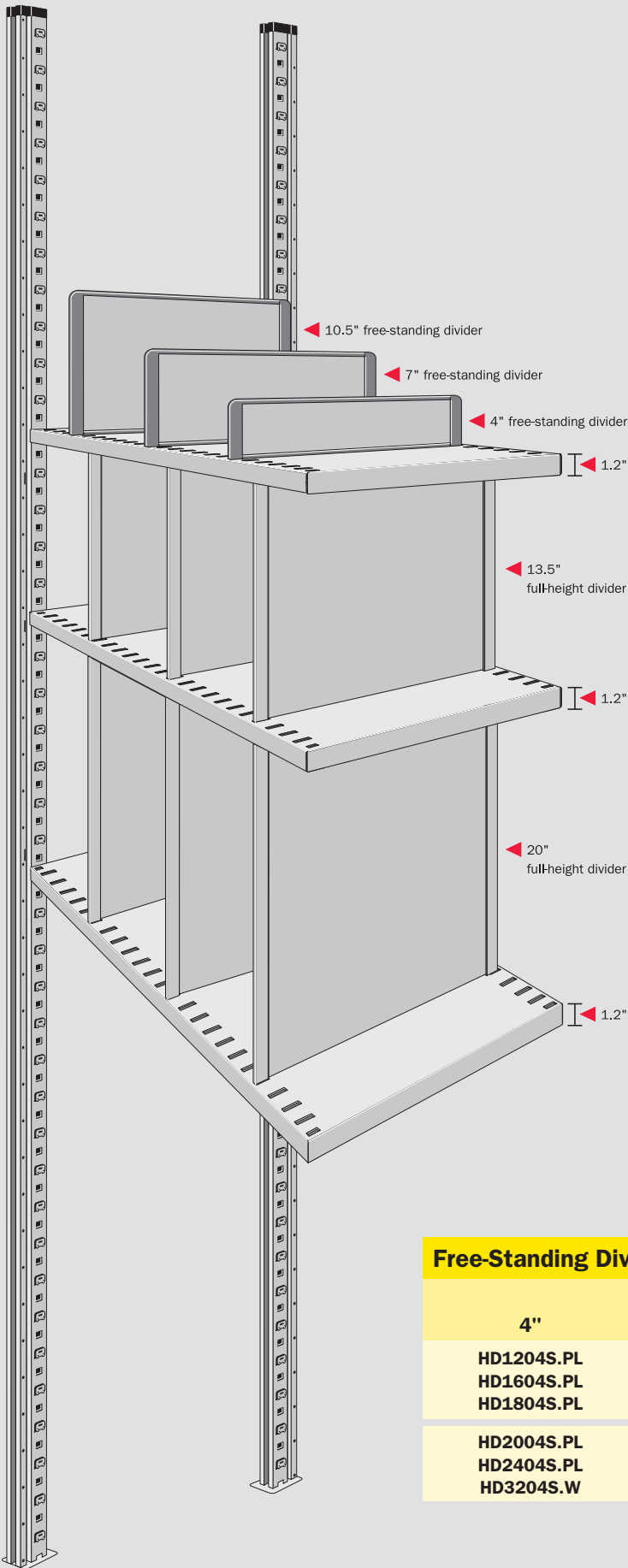
**Solid Back Panel (includes Beams)**



**Double Unit with Solid Center Panel**

### Shelf Dividers

- Shelf dividers install quickly without grommets, clips, bolts or screws
- Dividers are quick and easy to rearrange
- Full-height dividers insert into slots in the top of one shelf and the bottom of the shelf above
- Free-standing dividers insert into slots at the front and back of the shelf, spaced at 1 1/2"
- Other divider heights may be available upon request.
- Free-standing dividers have plastic (PL) or wire (W) ends



**Free-Standing Dividers (L) and Full-Height Dividers (R)**

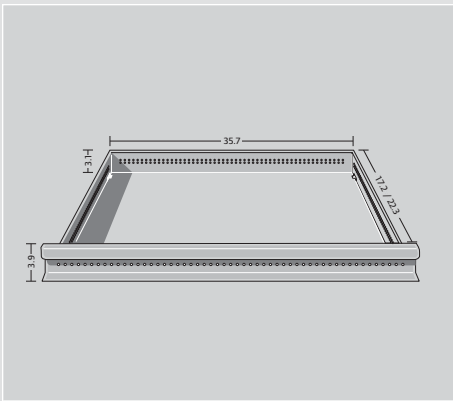
#### Full-Height Dividers

Divider Height		Shelf Depth
13.5"	20"	
FD1213	FD1220	12"
FD1613	FD1620	16"
FD1813	FD1820	18"
FD2013	FD2020	20"
FD2413	FD2420	24"

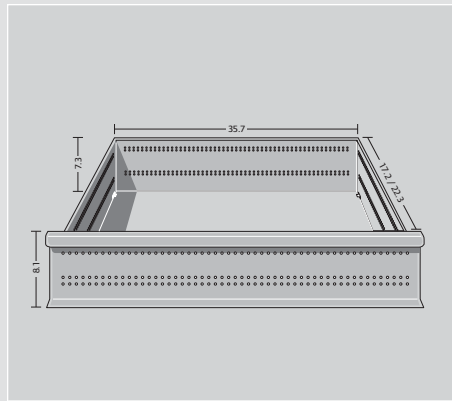
#### Free-Standing Dividers

Divider Height			Shelf Depth
4"	7"	10.5"	
HD1204S.PL	HD1207S.PL	—	12"
HD1604S.PL	HD1607S.PL	HD1610W	16"
HD1804S.PL	HD1807S.PL	HD1810W	18"
HD2004S.PL	HD2007S.PL	HD2010W	20"
HD2404S.PL	HD2407S.PL	HD2410W	24"
HD3204S.W	HD3207S.W	—	32"





The 4" drawer has a usable height of 3.38"



The 8" drawer has a usable height of 7.5"

## Drawers

By adding drawers, basic shelving bays easily turn into modular small parts storage systems. A convenient alternative to modular drawer cabinets.

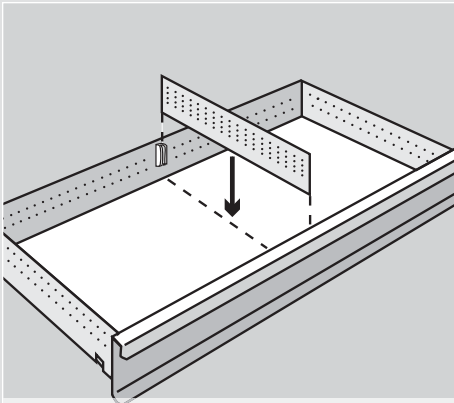
- Ball bearing roller tracks for easy opening and closing, even when fully loaded
- Available in two heights, 4" and 8"
- Available in three depths, 16", 18", 20" and 24"
- Drawers can be divided using pre-punched holes in the sides
- Quick and easy to install
- Drop onto lugs on the post
- Drawers extend fully
- High load capacity (150 lbs.), even at full extension
- Grey painted finish
- To provide additional stability and to meet safety guidelines, a shelf must be fitted above the top drawer. Tracks have to be secured with screws
- For safety, single bays with drawers must be bolted to the wall or floor
- In a row of shelving the bays must be clipped together
- Double bays must be anchored to floor

### Drawers

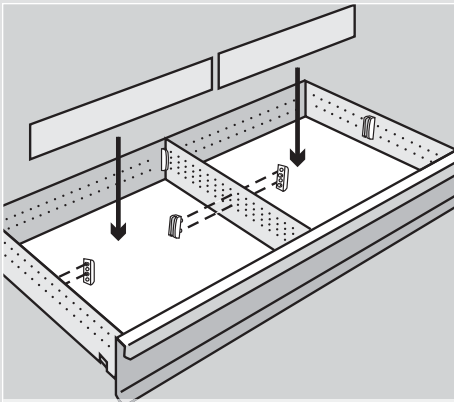
Order #	Width	A	Depth	B	Height
<b>DRS.163904</b>	39"	35.7"	16"	13.2"	4"
<b>DRS.163908</b>	39"	35.7"	16"	13.2"	8"
<b>DRS.183604</b>	36"	32.6"	18"	15.5"	4"
<b>DRS.183608</b>	36"	32.6"	18"	15.5"	8"
<b>DRS.203904</b>	39"	35.7"	20"	17.2"	4"
<b>DRS.203908</b>	39"	35.7"	20"	17.2"	8"
<b>DRS.243904</b>	39"	35.7"	24"	22.3"	4"
<b>DRS.243908</b>	39"	35.7"	24"	22.3"	8"

### Label Holders & Labels

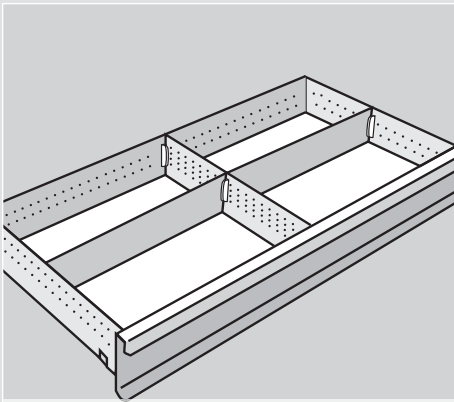
Label Holders (50 Quantity)	Labels (100 Quantity)	Width
<b>R3LH.195</b>	<b>R3LB.195</b>	19"



**Divider with Holes**



**Cross Dividers without Holes**



**Drawer Divided into Four Sections**

## Modular Drawer Dividers

- Dividers insert into holes in the sides of the drawer
- Partitions with snap-in plastic adapters available for further sectioning
- EK Boxes can be used to subdivide drawers into a variety of smaller compartments

### Drawer Divider Kits

Order #	Extra Partition	Drawer Width	Drawer Depth	Drawer Height	# of Compartments	Drawer Width	Drawer Depth
<b>SE4121</b>	QTE1210	39"	16"	4"	4 (2W x 2D)	17.5"	6.5"
<b>SE4122</b>	QTE1220	39"	16"	8"	4 (2W x 2D)	17.5"	6.5"
<b>DDS.18360404</b>	QTE3210	36"	18"	4"	4 (2W x 2D)	16.25"	7.75"
<b>DDS.18360804</b>	QTE3220	36"	18"	8"	4 (2W x 2D)	16.25"	7.75"
<b>SE5121</b>	QTE1210	39"	20"	4"	4 (2W x 2D)	17.5"	8.25"
<b>SE5122</b>	QTE1220	39"	20"	8"	4 (2W x 2D)	17.5"	8.25"
<b>SE6121</b>	QTE1210	39"	24"	4"	4 (2W x 2D)	17.5"	11"
<b>SE6122</b>	QTE1220	39"	24"	8"	4 (2W x 2D)	17.5"	11"
<b>SE4141</b>	QTE1410	39"	16"	4"	8 (4W x 2D)	8.75"	6.5"
<b>SE4142</b>	QTE1420	39"	16"	8"	8 (4W x 2D)	8.75"	6.5"
<b>DDS.18360408</b>	QTE3410	36"	18"	4"	8 (4W x 2D)	8"	7.75"
<b>DDS.18360808</b>	QTE3420	36"	18"	8"	8 (4W x 2D)	8"	7.75"
<b>SE5141</b>	QTE1410	39"	20"	4"	8 (4W x 2D)	8.75"	8.25"
<b>SE5142</b>	QTE1420	39"	20"	8"	8 (4W x 2D)	8.75"	8.25"
<b>SE6141</b>	QTE1410	39"	24"	4"	8 (4W x 2D)	8.75"	11"
<b>SE6142</b>	QTE1420	39"	24"	8"	8 (4W x 2D)	8.75"	11"
<b>SE4181</b>	QTE1810	39"	16"	4"	16 (8W x 2D)	4.25"	6.5"
<b>SE4182</b>	QTE1820	39"	16"	8"	16 (8W x 2D)	4.25"	6.5"
<b>DDS.18360416</b>	QTE3810	36"	18"	4"	16 (8W x 2D)	3.75"	7.75"
<b>DDS.18360816</b>	QTE3820	36"	18"	8"	16 (8W x 2D)	3.75"	7.75"
<b>SE5181</b>	QTE1810	39"	20"	4"	16 (8W x 2D)	4.25"	8.25"
<b>SE5182</b>	QTE1820	39"	20"	8"	16 (8W x 2D)	4.25"	8.25"
<b>SE6181</b>	QTE1810	39"	24"	4"	16 (8W x 2D)	4.25"	11"
<b>SE6182</b>	QTE1820	39"	24"	8"	16 (8W x 2D)	4.25"	11"
<b>SE41161</b>	QTE1810	39"	16"	4"	24 (8W x 3D)	4.25"	4.25"
<b>SE51161</b>	QTE1810	39"	20"	4"	24 (8W x 3D)	4.25"	5.5"
<b>SE61161</b>	QTE1810	39"	24"	4"	24 (8W x 3D)	4.25"	4.25"
<b>SE41241</b>	QTE1810	39"	16"	4"	32 (8W x 3D)	4.25"	3"
<b>SE51241</b>	QTE1810	39"	20"	4"	32 (8W x 3D)	4.25"	4"
<b>SE61241</b>	QTE1810	39"	24"	4"	32 (8W x 3D)	4.25"	5.25"
<b>SE51321</b>	QTE1810	39"	20"	4"	40 (8W x 5D)	4.25"	3.25"
<b>SE61321</b>	QTE1810	39"	24"	4"	40 (8W x 5D)	4.25"	4.25"



Accessories shown on R3000 shelving unit

- 1 Bin Front
- 2 Divider

- 3 RK Containers
- 4 Drawer

- 5 Storage Trays
- 6 LF Containers

## Storage Trays for Shelving

- Storage trays can take the place of shelf, dividers, bin fronts, back and side panels
- Steel trays available in two heights, 5" and 12"
- Slide out for rapid re-arrangement or multi-stacking
- Rest on support rails
- Painted blue
- Dividers install without nuts or bolts

### R3000 Storage Trays & Dividers

Tray Order #	Divider Order #	Depth	Height
ST.163905PT2	STD165	16"	5"
ST.163912PT2	STD1612	16"	12"
ST.203905PT2	STD205	20"	5"
ST.203912PT2	STD2012	20"	12"

### Labels & Holders

Labels (50 QTY)	Labels (50 QTY)	Length
EHK.75	EHK.75	3"
EHK.85	EHK.85	3.37"
EHK.135	EHK.135	5.37"

### Storage Tray Support Rails

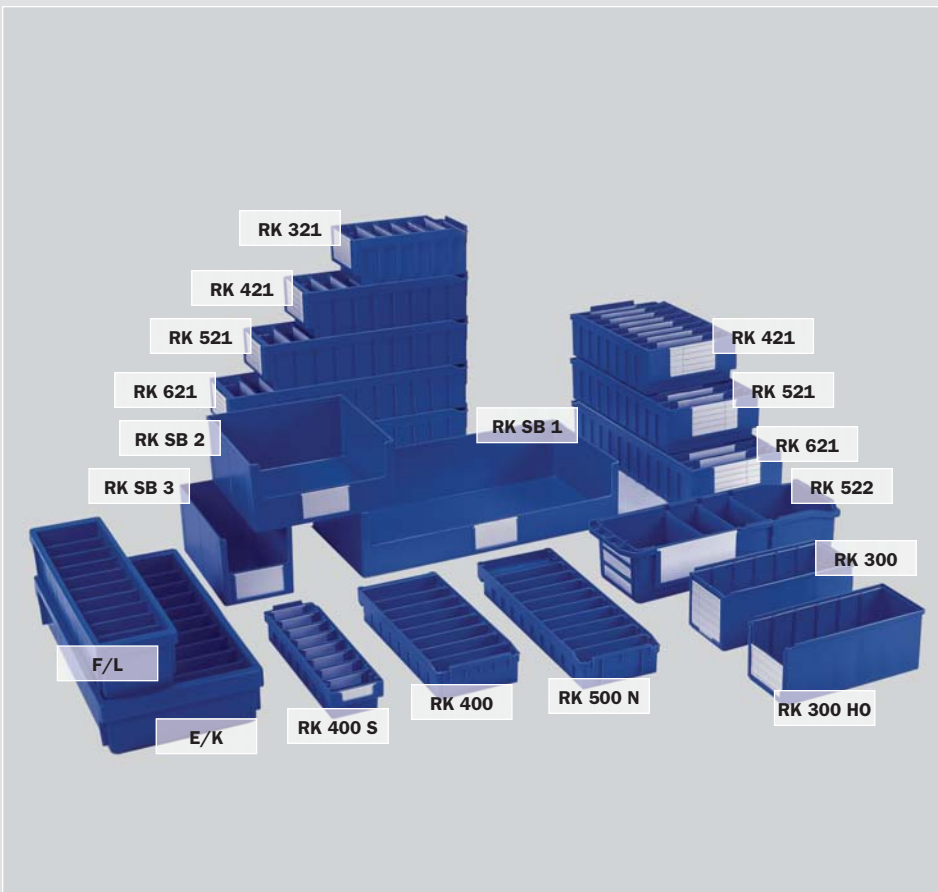
Order #	Depth
STS.16	16"
STS.20	20"

## RK Shelf Containers

Specifically designed to be modular with SSI Schaefer Shelving Systems which means you will achieve maximum cube utilization in your storage system.

### Features

- Hopper fronts available on RK300 HO, RKSB1, RKSB and RKSB3
- All containers and dividers made of polystyrene except RK522 Polyporpylene and EK231004 and FL230504 made of polyethylene
- All containers and dividers are blue
- Available with a wide range of accessories

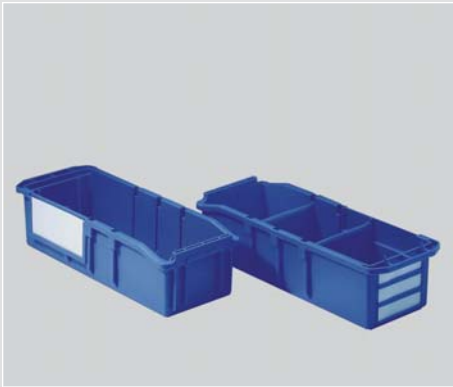


RK Shelf Containers

### RK Containers for 39" Wide Shelving

Order #	Outside Dimensions			Depth	Containers per 39" W Shelf	Shelf Layer Height	Number of Compartments
	L	W	H				
RK 300	11.9"	5.4"	4.8"	12"	7	6.25"	6
RK 300 HO	11.9"	5.4"	4.8"		7	6.25"	6
RK 321	11.5"	6.4"	4.6"		6	6.25"	6
RK SB 1	12.6"	23.5"	5.8"	16"	1+	8.43"	1
RK SB 2	12.6"	11.7"	5.8"		3	8.43"	1
RK SB 3	12.6"	5.8"	5.8"		6	8.43"	1
RK 400 S	15.4"	3.9"	2.6"	20"	10	6.25"	8
RK 400	16.1"	6.4"	2.6"		6		
RK 421	16.1"	6.4"	4.6"		6		
RK 421 B	19.3"	6.4"	2.6"		4		
RK 500 N	19.3"	6.4"	2.6"	24"	6	4.17"	10
RK 521	20"	6.4"	4.6"		6	6.25"	10
RK 521 B	19.3"	9.6"	4.6"		4	6.25"	10
RK 522	20.5"	7.5"	4.8"		5	6.25"	4
RK 619	24.4"	4.6"	3.6"	24"	8	6.25"	12
RK 621	23.3"	6.4"	4.6"		6		12
RK 621 B	23.3"	9.6"	4.6"		4		12
RK 629	23.6"	9.1"	3.6"		4		12
FL 230504	23.5"	5.2"	4.4"		7		10
EK 231004	23.2"	10.6"	4.4"		3		10

## RK Shelf Containers



**RK 522 Container Labels**  
on the front and side



Most containers have rear lip to hang off shelf for hands-free picking and stocking

### RK Containers Accessories

For Container	Front Label	Front Label Protector*	Divider	Divider Label*	Divider Label Protector*
<b>RK 300</b>	RKE 300	RKF 300	RKT 300	—	—
<b>RK 300 HO</b>	RKE 300 HO	RKF 300 HO	RKT 300	—	—
<b>RK 321</b>	RKE 321	RKF 321	RKT 321	RKE 500 N	RKF 500 N
<b>RK SB 1</b>	RKE SB 1	RKF SB 1	—	—	—
<b>RK SB 2</b>	RKE SB 1	RKF SB 1	—	—	—
<b>RK SB 3</b>	RKE SB 1	RKF SB 1	—	—	—
<b>RK 400 S</b>	RKE 400 S	RKF 400 S	RKT 400 S	RKE 400 S	RKF 400 S
<b>RK 400</b>	RKE 500 N	RKF 500 N	RKT 400	RKE 400	RKF 400
<b>RK 421</b>	RKE 321	RKF 321	RKT 5421	RKE 400	RKF 400
<b>RK 421 B</b>	RKE 321	RKF 321	RKT 5421 B	RKE 500 N	RKF 500 N
<b>RK 500 N</b>	RKE 500 N	RKF 500 N	RKT 500 N	RKE 500 N	RKF 500 N
<b>RK 521</b>	RKE 321	RKF 321	RKT 5421	RKE 400	RKF 400
<b>RK 521 B</b>	RKE 321	RKF 321	RKT 5421 B	RKE 500 N	RKF 500 N
<b>RK 522</b>	RKE 522 S	RKF 522 S	RKT 522	RKE 522 L**	RKE 522 L**
<b>RK 619</b>	RKE 619	RKF 619	RKT 61	RKE 619	RKF 619
<b>RK 621</b>	RKE 321	RKF 321	RKT 5421	RKE 400	RKF 400
<b>RK 621 B</b>	RKE 321	RKF 321	RKT 5421 B	RKE 500 N	RKF 500 N
<b>RK 629</b>	RKE 629	RKF 629	RKT 62	RKE 629	RKF 629
<b>FL 230504</b>	—	—	—	—	—
<b>EK 231004</b>	—	—	—	—	—

\* 100 Per Pk

\*\* For Sides

## LF Hopper Front Containers

Specifically designed to be modular with SSI Schaefer Shelving Systems which means you will achieve maximum Cube utilization in your storage system.

### Features

- Designed for the high-density small parts storage
- Modular to SSI Schaefer Shelving
- Ergonomically designed, recessed grip handle on back for easier manual handling
- Double wall construction from high strength and durability.
- Injection molded with polyethylene
- Available with a wired range of accessories



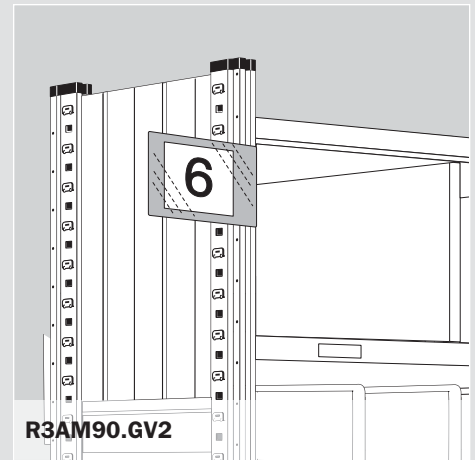
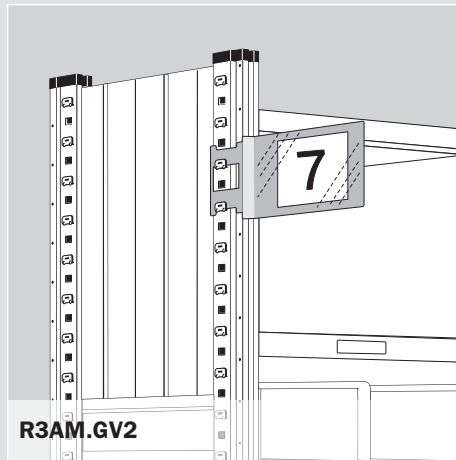
### LF Hopper Front Containers for 20" Deep Shelving

Order #	Outside Dimensions			Capacity (cu.ft.)	LF Containers Across Shelves	
	L	W	H		39" Wide	50.5" Wide
LF 200606	19.7"	6.2"	5.8"	0.27	6	8
LF 201206	20.1"	12.5"	5.8"	0.57	3	4
LF 201208	19.7"	12.3"	7.9"	0.83	3	4
LF 201212	19.7"	12.3"	11.9"	1.34	3	4
LF 201812	19.7"	18.4"	11.9"	2.01	2	n/a

## Accessories And Parts

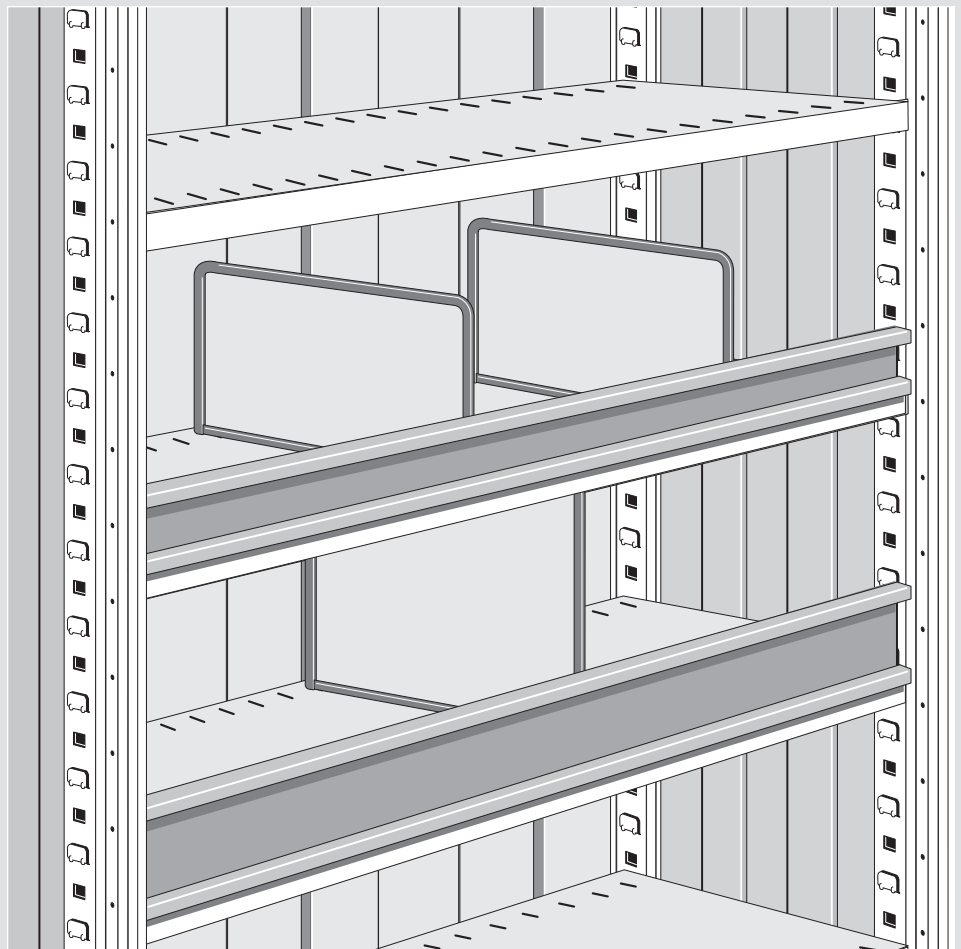
### Aisle Markers

- Especially useful in large installations to identify rows
- Self-adhesive, attach in either direction (R3AM1)
- Steel Markers insert onto lugs



### Bin Fronts for R4000 & R3000 Shelving

- Keep parts from sliding off the front of the shelf
- Great when used in conjunction with tilted shelves
- Works well with R4000 shelving

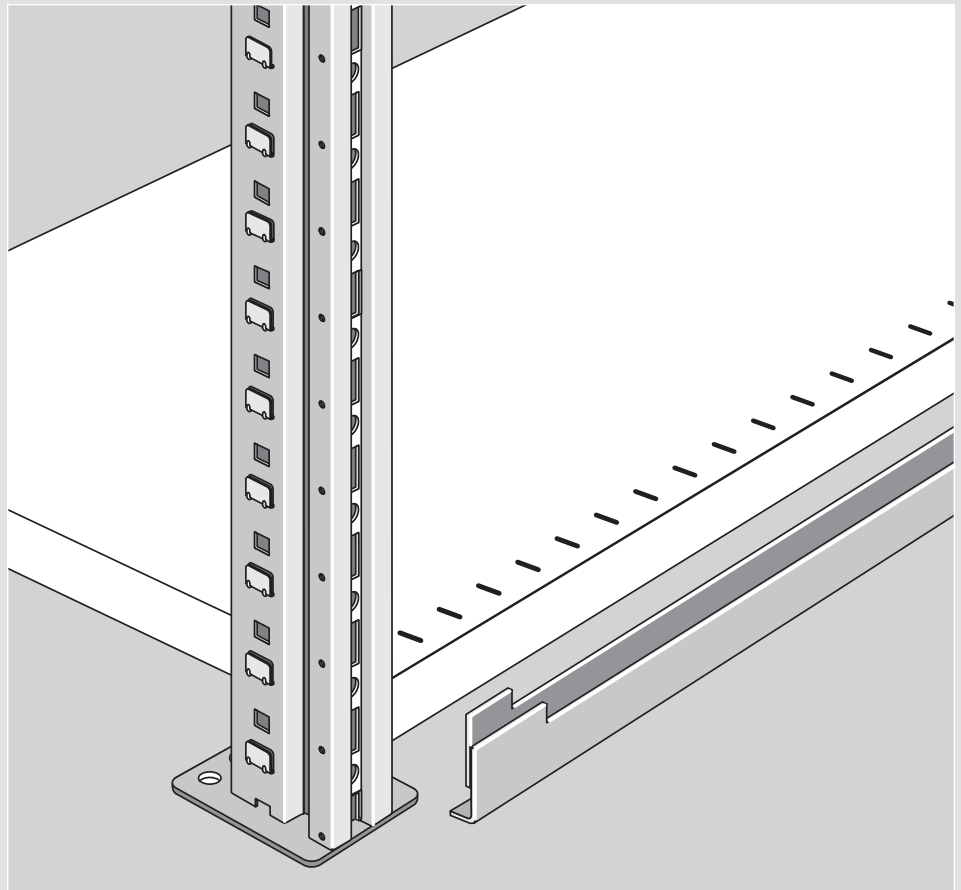


### Bin Fronts

Item	Width	Height
<b>BF.1536</b>	36"	1.5"
<b>BF.3536</b>	36"	3.5"
<b>BF.1539</b>	39"	1.5"
<b>BF.3539</b>	39"	3.5"
<b>BF.1584</b>	48"	1.5"
<b>BF.3548</b>	48"	3.5"
<b>BF.1550</b>	50.5"	1.5"
<b>BF.3550</b>	50.5"	3.5"

**Base Rail (R3000)**

Galvanized. Close the gap between the first lug (= lowest shelf position) and the floor



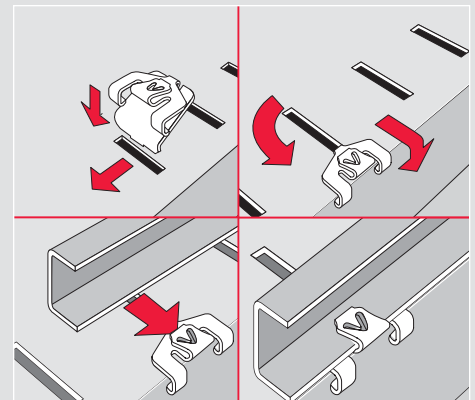
**Base Rail**

**Rear Stops for R4000 & R3000 Shelving**

- Keep parts from falling off the back of the shelf
- Can be used to divide bays in double-unit applications



**Shelf with Rear Stop (View from Back)**

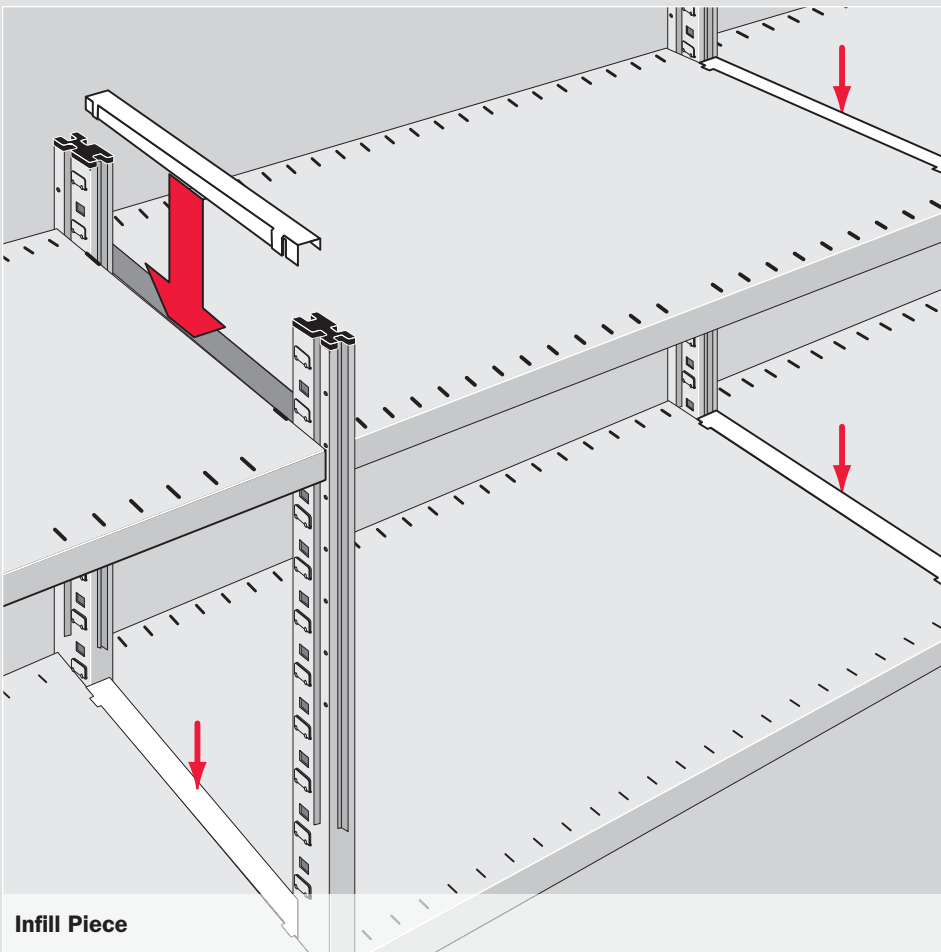


**Rear Stop Clips**

**Rear Stops**

Item	Width	Height
<b>RS.361</b>	36"	.38"
<b>RS.3615</b>	36"	1.5"
<b>RS.391</b>	39"	.38"
<b>BF.3915</b>	39"	1.5"
<b>RS.481</b>	48"	.38"
<b>RS.4815</b>	48"	1.5"
<b>RS.501</b>	50.5"	.38"
<b>RS.5015</b>	50.5"	1.5"





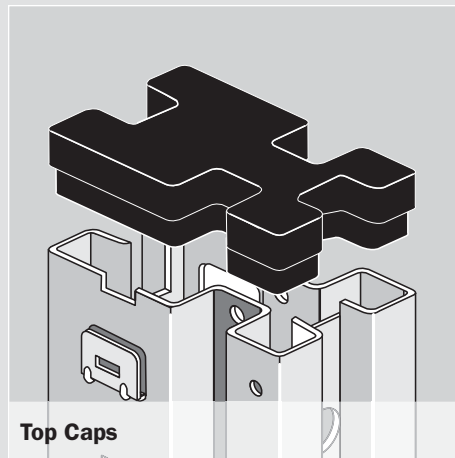
**Infill Pieces**

- Fill gaps in between bays if required
- Prevent small objects from falling between shelf levels
- Provide even surface for shelves on

Infill Pieces	
Depth	Order #
12"	R3IFP.12
16"	R3IFP.16
20"	R3IFP.20
24"	R3IFP.24

**Top Caps (R3000)**

High quality plastic, black color. Snaps onto the top of uprights for a finished look



Top Caps	
Item	Order #
Top Caps	R3CAP
Floor Anchor-R3000 3/8" x 3"	ANCHOR.KBTZ38X3
Shim-R3000 1/16"	R3SP

Labels and Holders		
Length	Order #	
	Labels (100 Qty)	Holder (50 Qty)
3 1/2"	R3LH.035	R3LH.035
5 1/2"	R3LH.055	R3LH.055
19 1/2"	R3LH.195	R3LH.195