

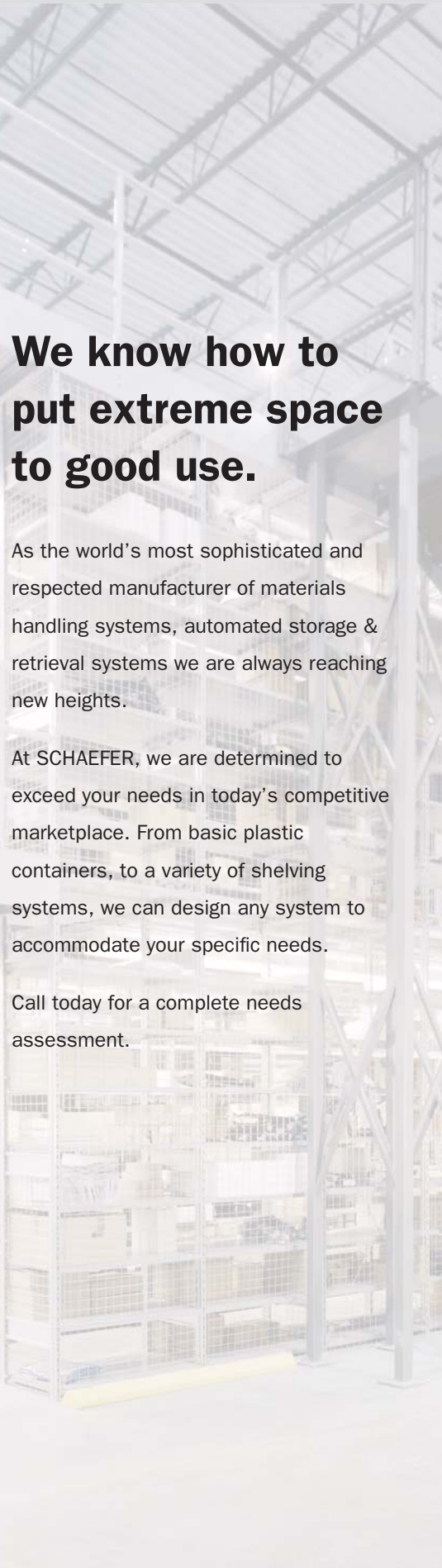


We know how to put extreme space to good use.

As the world's most sophisticated and respected manufacturer of materials handling systems, automated storage & retrieval systems we are always reaching new heights.

At SCHAEFER, we are determined to exceed your needs in today's competitive marketplace. From basic plastic containers, to a variety of shelving systems, we can design any system to accommodate your specific needs.

Call today for a complete needs assessment.





R4000 Single Bay Shelving 85 1/2

R4000 is a highly engineered system designed with the future in mind. R4000 is based on the Starter / Add-on principle, providing excellent flexibility for expansion, including multi-tier installations.

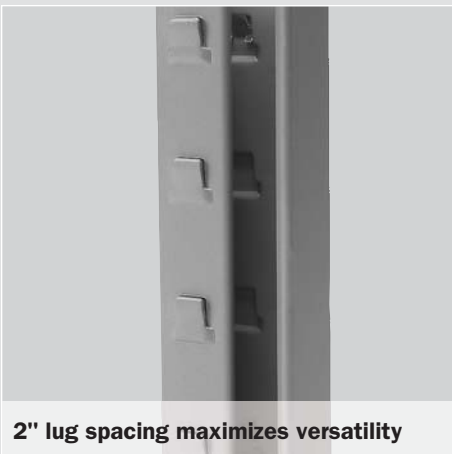
- Starter bay includes four corner posts
- Add-on includes two corner posts
- Unique to the industry - no nuts, bolts or tools are required for assembly
- **Shelves simply slide in and fit onto prepunched lugs in the posts, which take the place of commonly used clips or nuts and bolts**
- The shelves can be rapidly re-arranged due to unique Schaefer design
- Lugs on the posts are spaced 2" apart for a wide range of storage options
- Designed for strength, high load bearing capacity:
Starter: 7,500 lbs.
Add-on: 5,500 lbs.
- For better visibility and ergonomic picking of stored items, shelves can tilt at either 6° or 12° angle

Single Bays

Bay Depth	39" Width Starter	39" Width Add-on
12"	R4TB.1239SK	R4TB.1239AK
16"	R4TB.1639SK	R4TB.1639AK
20"	R4TB.2039SK	R4TB.2039AK
24"	—	—
32"	—	—

Cross Bracing

Bay Height	Bay Width	
	39"	50.5"
85.5"	CB3985	CB5085



2" lug spacing maximizes versatility

Posts

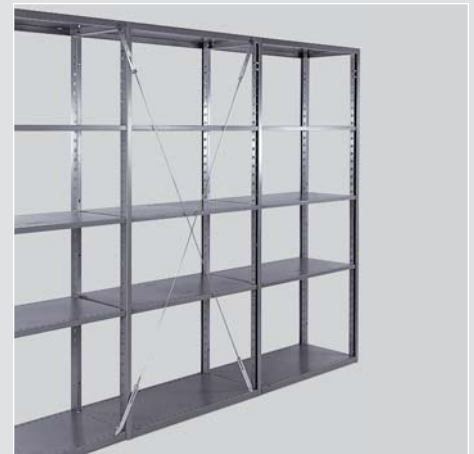
- Pre-punched lugs at 2" spacing for flexible, easy shelf arrangement
- No hardware or tools are required to install shelves

Cross Bracing

- To increase lateral stability, cross bracing every third bay is recommended
- Not necessary to use cross braces on every unit, as with other shelving.
- Double and back-to-back single unites share a common center cross brace.

R4000 Double Bay Shelving 85 1/2”H

Schaefer’s double bays offer a new alternative to traditional thinking regarding shelving. All the great features of the single bays in a back-to-back format. Double bays use a common top and bottom shelf. One double-wide centerpost inserted between the base and top shelves joins both bays. Double bay shelving requires less material and reduces installation time, resulting in cost savings. In addition to being efficient and economical, our design offers greater strength and stability than conventional back-to-back shelving, which accounts for roughly 90 percent of all installations.



Double Bays				
Bay Depth	39" Width Starter	39" Width Add-on	50.5" Width Starter	50.5" Width Add-on
12"	R4TB.1239SDK	R4TB.1239ADK	—	—
16"	R4TB.1639SDK	R4TB.1639ADK	R4TB.1650SDK	R4TB.1650ADK
20"	R4TB.2039SDK	R4TB.2039ADK	—	—
24"	—	—	—	—
32"	—	—	—	—

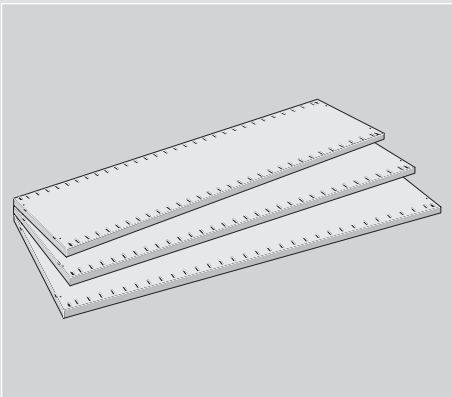
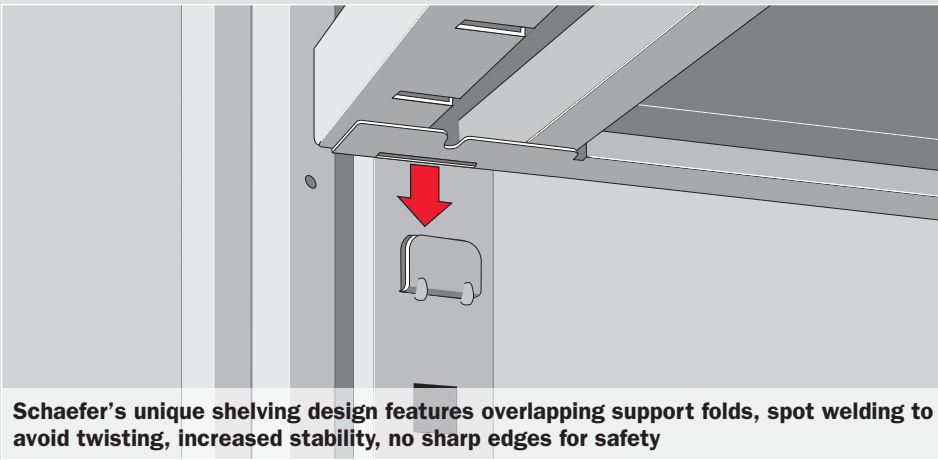
- All the great features of our Single Bays
- Double Starter bay includes four corner and two center posts
- Double Add-on bay includes two corner and one center post
- Double bay consists of two single bays combined into one
- Uses common top and base shelves
- No nuts, bolts or tools are required for assembly
- **Quickly and easily creates two bays in roughly the same time it takes to build a single bay**
- Shelves may be arranged independently on either side
- As with single bays, shelves may be tilted at either 6° or 12° angle
- Double bay shelving is available in three depths

Cross Bracing		
Bay Height	Bay Width	
	39"	50.5"
85.5"	CB3985	CB5085

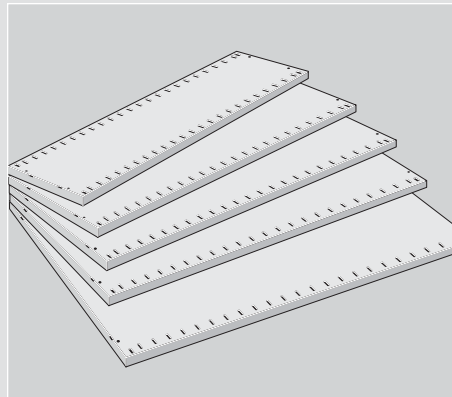
R4000 Adjustable Shelves

Schaefer offers two unique types of shelves which are not available anywhere else on the market.

- Single box shelf supports up to 600 lbs. and has two more bends than other box-style shelves
- The double box shelf supports up to 1,000 lbs. and is the only one of its kind available on the market
- Shelves have a lap and welded seam design with reinforced corners
- Shelves are slotted at 1 1/2" intervals for drop-in dividers
- Shelves come standard in painted gray
- Shelves can be adjusted at a 6° or 12° tilt by simply raising the back of the shelf one or two lug positions
- No tools or additional hardware are required to adjust the angle of the shelves
- The shelf widths are actual clear bay widths between posts
- To calculate bay widths, add 2 3/8" to shelf for (starter) unit and 1 3/16" (and shelf width) for every subsequent add-on bay.



50.5" width available in 4 depths



39" width available in 5 depths

R4000 Adjustable Shelves

Heavy-Duty 600 lb. Capacity	Extra Heavy-Duty 1,000 lb. Capacity	Shelf Depth	Clear Width
S1239.HGY2	—	12"	39"
S1639.HGY2	S1639.XGY2	16"	39"
S2039.HGY2	S2039.XGY2	20"	39"
S2439.HGY2	S2439.XGY2	24"	39"
S3239.HGY2	S3239.XGY2	32"	39"
S1650.HGY2	—	16"	50.5"
—	S2050.XGY2	20"	50.5"
—	S2450.XGY2	24"	50.5"
S3250.XGY2	—	32"	50.5"



< Single-box construction, up to 600 lbs. load capacity



< Double-box construction, up to 1,000 lbs. load capacity

R4000 Side and Back Panels

Schaefer R4000 Shelving incorporates a wide range of options and accessories. Using modular components, basic units can be customized to meet specific needs.

- Wire mesh panels simply insert into pre-punched holes in the base and top shelves
- Wire mesh is 10 gauge by 2" square, bright galvanized for side and back panels
- Solid side panels use a unique design in which pre-formed tabs on the panels fit into notches in the posts
- Solid painted panels available for side and back (two pieces required)
- Solid galvanized side panels also available
- Two-piece side and back panels are easy to handle and install and also reduce shipping damage
- Solid galvanized center panels for double bays; three or four interlocking panels per bay
- **Simple, easy installation saves time and money**



Side Panels

Wire Mesh Panels	Solid Painted Panels	Solid Galvanized Panels	Shelf Depth
SP4.12085W1	SP4.12085P1	SP4.12085G1	12"
SP4.16085W1	SP4.16085P1	SP4.16085G1	16"
SP4.20085W1	SP4.20085P1	SP4.20085G1	20"
SP4.24085W1	SP4.24085P1	SP4.24085G1	24"
SP4.32085W1	SP4.32085P1	SP4.32085G1	32"

Back Panels

Wire Mesh Panels	Solid Painted Panels	Solid Galvanized Panels	Shelf Depth
BP4.39085W1	BP4.39085P1	CP3985G	39"
BP4.50085W1	BP4.50085P1	CP5085G	50.5"



Full-Height Door with Recessed Handle

Doors

- Full-height doors (82 1/2" for 85 1/2" units)
- Catwalk-height doors (72 1/2") for multitier installations (accommodates overhead support structure)
- Doors can be easily adjusted to open and close smoothly – even when floors are not level
- Recessed locking handle is standard equipment, 2 keys included
- Light grey, painted finish
- Installs with only four screws into holes in upright posts
- Available for 36" and 39" wide bays

Doors, 85" H

Door Width	Order #
36"	DS. 3685
39"	DS. 3985